



Allen-Bradley

***Bulletin 1336 PLUS
Adjustable Frequency
AC Drive
(Series A, B, C and D)***

*A007 – A015
B007 – B030
C007 – C020*

Troubleshooting Guide

Important User Information



ATTENTION: Identifies information about practices or circumstances that can lead to personal injury or death, property damage or economic loss.

Attentions help you:

- Identify a hazard.
- Avoid the hazard.
- Recognize the consequences.

IMPORTANT: Identifies information that is especially important for successful application and understanding of the product.



DANGER labels may be located on or inside the drive to alert people that dangerous voltage may be present.

Summary Information

The following changes to this manual have occurred since Publication 1336 PLUS-6.1 — February, 1997, P/N 74001-036-01(H) was released. Refer to the February, 1997 publication for reference to page numbers. Page numbers in the August, 1997 publication may not match the page-number references mentioned here due to omissions or inclusions, and, likewise, text and graphics shifting somewhat from page to page.

Chapter 2

Table 2.A on page 2-4 has been changed.

Summary of Changes

This Page Intentionally Left Blank

Preface

Manual Objective P-1

Who Should Use This Manual P-1

Safety Precautions P-1

Electrostatic Discharge Precautions P-2

1336 PLUS Product Identification P-3

 Drive Nameplate Location P-3

Drive and Option Identification P-4

 1336 PLUS Drive Catalog Numbers P-4

 Drive Rating Qualifications P-9

 Enclosure Type P-9

Conventions P-10

Related Publications P-12

Control Logic Wiring and Adapters

Chapter 1

Chapter Objectives 1-1

Chapter Overview 1-1

Control Interface Option 1-2

 Control Interface Board Jumpers 1-3

 Available Inputs 1-4

Local Programming 1-4

Human Interface Module (HIM) 1-8

 Description 1-8

 Module Removal 1-10

 HIM Operation 1-10

Troubleshooting and Error Codes

Chapter 2

Chapter Objectives 2-1

Troubleshooting Overview 2-1

Electrostatic Discharge Precautions 2-2

Fault Descriptions 2-3

 Fault Display 2-3

 Contact Description 2-3

Diagnostic Procedures by Symptom	2-11
Drive Will Not Start	2-11
No Display	2-12
Drive Will Not Jog	2-13
Drive Stays at Zero Hertz When Started	2-14
Drive Goes to Max Frequency	2-15
Clearing Faults	2-15

Disassembly and Access Procedures

Chapter 3

Chapter Objectives	3-1
Disassembly and Access Overview	3-1
Electrostatic Discharge Precautions	3-1
Tools	3-2
Fastener Torque Specifications	3-2
Torque Sequence	3-2
Torque Specifications	3-4
Disassembly and Access Procedures	3-5
Removing the Drive Enclosure	3-5
Removing Control Interface Board MOD–L4, –L5, or –L6	3-6
Removing the Main Control Board Mounting Plate	3-8
Removing the Main Control Board from the Mounting Plate	3-10
Removing the Gate Driver/Power Supply Board (Series A and B)	3-12
Accessing Chassis Power Components	3-13
Removing the Gate Driver/Power Supply Board (Series C)	3-14

Component Test Procedures

Chapter 4

Chapter Objectives	4-1
Component Test Overview	4-1
Electrostatic Discharge Precautions	4-2
Tools	4-2
Test 1 – Testing Bridge Rectifier BR1	4-3
Test 2 – Testing the Bus Capacitors	4-5
Test 3 – Testing Transistor Modules Q1, Q2, and Q3	4-8

Test 4 – Testing the Precharge Module (Series A and B) 4-10

Test 5 – Testing the Precharge Module (Series C) 4-12

Test 6 – Testing the Gate Driver Board 4-15

Part Replacement Procedures

Chapter 5

Chapter Objective 5-1

Part Replacement Overview 5-1

Safety Precautions 5-1

Electrostatic Discharge Precautions 5-1

 Tools 5-2

Major Component Replacement 5-2

Detailed Product Identification 5-2

 Precharge Module (Series A and B) 5-4

 Precharge Module (Series C) 5-6

 Thermistor 5-8

 Transistor Modules 5-10

 Bridge Rectifier BR1 5-12

 Fan 5-14

 DC Bus Inductor (Series A and B) 5-16

 DC Bus Inductor (Series C) 5-18

 Bus Capacitors 5-21

Replacement Parts List

Chapter 6

Chapter Objectives 6-1

Ordering Replacement Parts 6-1

Replacement Parts Listing 6-2

**Schematics
Notes**

7.5 – 30 HP 1336 PLUS Drives S-1

. N-1

Table of Contents

Glossary G-1

Index I-1

Preface

Manual Objective

The information in this manual is designed to help troubleshoot or repair an Allen-Bradley Bulletin 1336 PLUS Adjustable Frequency AC Drive with ratings A007 – A015, B007 – B030, and C007 – C020.

Who Should Use This Manual

This manual is intended for qualified service personnel responsible for troubleshooting and repairing the 1336 PLUS Adjustable Frequency AC Drive. You should:

- Read this entire manual before performing maintenance or repairs to drives.
- Have previous experience with, and basic understanding of, electrical terminology, procedures, required troubleshooting equipment, equipment protection procedures and methods, and safety precautions.

This manual describes equipment, troubleshooting, and disassembly procedures. You begin with general illustrations and end with greater detail concerning replacement parts and part locations on the drives. Later chapters may refer you back to earlier chapters for information on basic equipment and steps necessary to perform detailed diagnostics and part replacement.

Safety Precautions



ATTENTION: Some printed circuit boards and drive components may contain hazardous voltage levels. Remove and lock out power before you disconnect or reconnect wires, and before you remove or replace fuses and circuit boards. Verify bus voltage by measuring the voltage between +DC and –DC on Terminal Block TB1. Do not attempt to service the drive until the bus voltage has discharged to zero volts.



ATTENTION: Potentially fatal voltages may result from improper usage of oscilloscope and other test equipment. The oscilloscope chassis may be at a potentially fatal voltage if not properly grounded. If an oscilloscope is used to measure high voltage waveforms, use only a dual channel oscilloscope in the differential mode with X 100 probes. It is recommended that the oscilloscope be used in the A minus B Quasi-differential mode with the oscilloscope chassis correctly grounded to an earth ground.

Electrostatic Discharge Precautions



ATTENTION: Only personnel familiar with the 1336 PLUS Adjustable Frequency AC Drive and associated machinery should plan or implement the installation, start-up and subsequent maintenance of the system. Failure to comply may result in personal injury and/or equipment damage.



ATTENTION: This assembly contains parts and sub-assemblies that are sensitive to electrostatic discharge. Static control precautions are required when servicing this assembly. Component damage may result if you ignore electrostatic discharge control procedures. If you are not familiar with static control procedures, reference Allen-Bradley Publication 8000-4.5.2, Guarding Against Electrostatic Damage, or any other applicable ESD protection handbook.

Electrostatic discharge generated by static electricity can damage the complimentary metallic oxide semiconductor devices on various drive boards. It is recommended that you perform these procedures to guard against this type of damage when circuit boards are removed or installed:

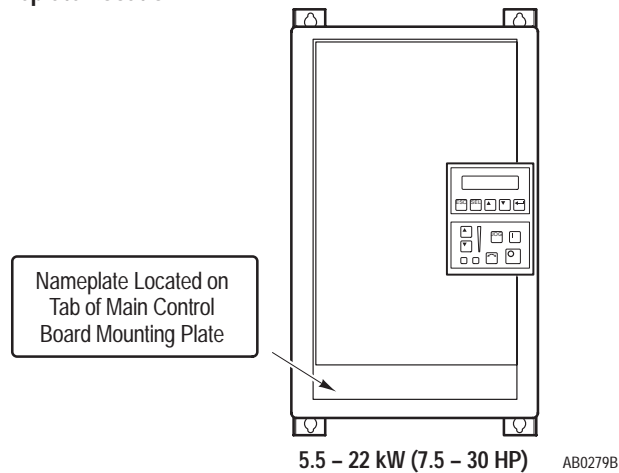
- Wear a wrist-type grounding strap that is grounded to the drive chassis.
- Attach the wrist strap before removing the new circuit board from the conductive packet.
- Remove boards from the drive and immediately insert them into their conductive packets.

1336 PLUS
Product Identification

Drive Nameplate Location

The drive nameplate is located on the face of the Main Control Board Mounting Plate. The drive nameplate contains the drive’s catalog number and other important drive information. Reference the catalog number when ordering replacement parts.

Figure 1.1
Drive Nameplate Location



Software Compatibility



ATTENTION: To guard against machine damage and/or personal injury, drives with ratings above 45 kW (60 HP) must not be used with software versions below 1.07. Refer to the table below.

Three-Phase Drive Rating¹

200 – 240V	380 – 480V	500 – 600V	Compatible with Version	Frame Reference
5.5 – 11 kW 7.5 – 15 HP	5.5 – 22 kW 7.5 – 30 HP	5.5 – 15 kW 7.5 – 20 HP	1.05 & Up or 1.06 w/std. Jog	B

¹ kW and HP are constant torque (CT) ratings.

Drive and Option Identification

The following is an explanation of the catalog numbering system for 1336 PLUS Adjustable Frequency AC Drives and options. The catalog number is coded to identify the drive power rating and can be found on the drive shipping carton and nameplate.

1336 PLUS Drive Catalog Numbers

Table 1.A

1336S	- A007-AN	- EN	- L6	- HA1	- GM1
BULLETIN NO.	RATING-ENCLOSURE (MUST BE SPECIFIED)	LANGUAGE MODULE ¹ (MUST BE SPECIFIED)	CONTROL INTERFACE ¹ (OPTIONAL)	HUMAN INTERFACE ¹ (OPTIONAL)	COMMUNICATION CARD ¹ (OPTIONAL)

200 – 240V AC Input, Constant or Variable Torque Drive							
Drive Rating ²				Enclosures			
				Open IP00 No Enclosure	NEMA Type 1 IP20 General Purpose	NEMA Type 4 IP56 Resist Water, Dust	NEMA Type 12 IP54 Industrial Use
Frame Designation	Output Amps	Nominal HP/kW – CT	Nominal HP/kW – VT	Code	Code ³	Code	Code
B	27 34 48	7.5/5.5 10/7.5 15/11	7.5/5.5 10/7.5 15/11	A007-AN A010-AN A015-AN	A007-AA A010-AA A015-AA	A007-AF A010-AF A015-AF	A007-AJ A010-AJ A015-AJ

Table 1.B

1336S	- B007-AA	- EN	- L6	- HA1	- GM1
BULLETIN NO.	RATING-ENCLOSURE (MUST BE SPECIFIED)	LANGUAGE MODULE ^[1] (MUST BE SPECIFIED)	CONTROL INTERFACE ^[1] (OPTIONAL)	HUMAN INTERFACE ^[1] (OPTIONAL)	COMMUNICATION CARD ^[1] (OPTIONAL)

380 – 480V AC Input, Constant or Variable Torque Drive

Drive Rating ^[2]					Enclosures			
					Open IP00 No Enclosure	NEMA Type 1 IP20 General Purpose	NEMA Type 4 IP56 Resist Water, Dust	NEMA Type 12 IP54 Industrial Use
Frame Designation	Constant Torque		Variable Torque ^[4]		Code	Code ^[3]	Code	Code
	Output Amps	Nominal HP/kW	Output Amps	Nominal HP/kW				
B	12.5	7.5/5.5	14	10/7.3	B007-AN	B007-AA	B007-AF	B007-AJ
	16.1	10/7.5	21	15/11	B010-AN	B010-AA	B010-AF	B010-AJ
	24.2	15/11	27	20/14.7	B015-AN	B015-AA	B015-AF	B015-AJ
	31.0	20/15	34	25/18.3	B020-AN	B020-AA	B020-AF	B020-AJ
	39.0	25/18.5	42	30/22	B025-AN	B025-AA	B025-AF	B025-AJ
	45.0	30/22	48	30/22	B030-AN	B030-AA	B030-AF	B030-AJ

Table 1.C

1336S	- C007-AA	- EN	- L6	- HA1	- GM1
BULLETIN NO.	RATING-ENCLOSURE (MUST BE SPECIFIED)	LANGUAGE MODULE ¹ (MUST BE SPECIFIED)	CONTROL INTERFACE ¹ (OPTIONAL)	HUMAN INTERFACE ¹ (OPTIONAL)	COMMUNICATION CARD ¹ (OPTIONAL)

500 – 600V AC Input, Constant or Variable Torque Drive

Drive Rating ²				Enclosures			
				Open IP00 No Enclosure	NEMA Type 1 IP20 General Purpose	NEMA Type 4 IP56 Resist Water, Dust	NEMA Type 12 IP54 Industrial Use
Frame Designation	Output Amps	Nominal HP/kW – CT	Nominal HP/kW – VT	Code	Code ³	Code	Code
B	10	7.5/5.5	7.5/5.5	C007-AN	C007-AA	C007-AF	C007-AJ
	12	10/7.5	10/7.5	C010-AN	C010-AA	C010-AF	C010-AJ
	19	15/11	15/11	C015-AN	C015-AA	C015-AF	C015-AJ
	24	20/15	20/15	C020-AN	C020-AA	C020-AF	C020-AJ

Table 1.D

Language Modules	
Description	Option Code
English/English	EN
English/French	FR
English/German	DE
English/Italian	IT
English/Japanese	JP
English/Spanish	ES

Table 1.E

Options			
Code	Description	Code	Description
Human Interface Modules, NEMA Type 1 (IP 20)		Communication Options	
HAB	Blank – No Functionality	GM1	Single Point Remote I/O
HAP	Programmer Only	GM2	RS-232/422/485, DF1
HA1	Programmer, LCD/Analog Pot	GM3	RS-232/422/485, DH485
HA2	Programmer, LCD/Digital Pot		
Human Interface Modules, NEMA Type 4 (IP 56)		Control Interface Options	
HFB	Blank – No Functionality	L4	TTL Contacts
HFP	Programmer Only	L4E	Contacts & Encoder Feedback
HF1	Programmer, LCD/Analog Pot	L5	24V DC
HF2	Programmer, LCD/Digital Pot	L5E	24V DC & Encoder Feedback
Human Interface Modules, NEMA Type 12 (IP 54)		L6	115V AC
HJB	Blank – No Functionality	L6E	115V AC & Encoder Feedback
HJP	Programmer Only		
HJ1	Programmer, LCD/Analog Pot		
HJ2	Programmer, LCD/Digital Pot		

- ¹ Refer to the Language Module and Options tables following these Catalog Number tables.
- ² Drive rating is based on a carrier frequency of 4kHz maximum, an altitude of 1,000 meters or less, and a maximum ambient temperature of 40°. Refer to Qualifications on pages P-8 and P-9.
- ³ Refer to Table 1.I for explanation of “E” rating.
- ⁴ VT Ratings do not apply to 380V Input.

Table 1.F
200 – 240V Drives

Catalog Number	Maximum Amp Rating ¹	Derate Curve ^{1 2}	Heat Dissipation Drive Watts ^{2 3}	Heat Sink Watts	Total Watts
A007	27	⁴	156	486	642
A010	34	⁴	200	721	921
A015	48	⁴	205	819	1024

Table 1.G
380 – 480V Drives

Catalog Number	Maximum Amp Rating ¹	Derate Curve ^{1 2}	Heat Dissipation Drive Watts ^{2 3}	Heat Sink Watts	Total Watts
B007	14	⁴	131	269	400
B010	21	⁴	143	394	537
B015	27	⁴	156	486	642
B020	34	⁴	200	627	827
B025	42	⁴	200	721	921
B030	48	⁴	205	819	1024

Table 1.H
500 – 600V Drives

Catalog Number	Maximum Amp Rating ¹	Derate Curve ^{1 2}	Heat Dissipation Drive Watts ^{2 3}	Heat Sink Watts	Total Watts
C007	10	⁴	⁴	⁴	⁴
C010	12	⁴	⁴	⁴	⁴
C015	19	⁴	⁴	⁴	⁴
C020	24	⁴	⁴	⁴	⁴

¹ Amp Rating is at 4kHz. If carrier frequencies above 4kHz are selected, drive Amp Rating must be derated. Refer to the User Manual for carrier frequency vs. Amp deratings.

² Drive Ambient Temperature Rating is 40°C. If ambient exceeds 40°C, the drive must be derated.

³ Drive Rating is based on altitudes of 1,000m (3,000 ft) or less. If installed at higher altitude, drive must be derated.

⁴ Refer to the 1336 PLUS User Manual, Appendix A.

Drive Rating Qualifications

Several factors can affect drive rating. If more than one factor exists, derating percentages must be multiplied. For example, if a 14-amp drive is installed at a 2km (6,600 ft.) altitude and has a 2% high-input line voltage, the actual amp rating is:

$$14 \times 94\% \text{ altitude derating} \times 96\% \text{ high-input line derating} = 12.6 \text{ amps}$$

Enclosure Type

The first character, A, indicates the Enclosure Code.

The second character indicates the type of enclosure shipped from the factory:

Table 1.1
Enclosure Type Code Description

Enclosure Type Code	Description
N	Open style (IP 00)
A	NEMA Type 1 (IP 20)
E	NEMA Type 1 (IP 20) "CE" Metal Cover
F	NEMA Type 4 (IP 56)
J	NEMA Type 12 (IP 54)

Conventions

To help differentiate parameter names and display text from other text in this manual, the following conventions will be used:

- Parameter Names will appear in [brackets].
- Display Text will appear in “quotes”.

The following is a list of conventions used throughout this manual, and definitions of the conventions. For a list of terminology and definitions, refer to the Glossary in the back of this manual.

Auxiliary Input

The Auxiliary Input is a terminal connection on the Control Interface Board. This connection provides an external input for use as an Auxiliary Interlock. Unless this interlock is closed, the drive will be faulted with an Auxiliary Fault.

Auxiliary Interlock

The Auxiliary Interlock is a user supplied circuit consisting of reset, overload, or other interlocking circuitry. The Interlock is wired to the drive Auxiliary input.

Bit

A bit is a single character or status point used in programmable logic. Eight bits form a BYTE, 16 bits form a word. Drive parameters are actually eight bits or 16 bit words.

Check

To check means to examine either the physical condition of something or the setting of some control, such as a Parameter. Checking a drive board or component may also require measurements and tests.

Connector

A connector connects one drive board to another. Connectors come in two designs, male and female. Male connectors are stationary and contain pins, which are sometimes joined by jumpers. Female connectors are at the ends of wires or ribbon cables and plug into male connectors.

Default

When a drive function defaults, it automatically changes to a pre-programmed setting.

Enable Input

The Enable Input is a terminal connection on the Control Interface Board. This connection provides an external input to enable or disable the Drive Output section. It must be true to permit the drive to operate.

False

False refers to a logical false state. For instance, a Control Interface signal on TB3 is false when the input contact is open or the appropriate voltage is not applied to the Control Interface Board.

Jumper

A jumper completes a circuit between two pins within a male connector on a drive board. In the absence of certain optional equipment using female connectors, jumpers are applied to certain pins within a male connector to complete specific and necessary circuits.

Control Interface Board

A Control Interface Board plugs into connectors J7 and J9, located on the lower portion of the Main Control Board. This board is identified as L4/4E, L5/5E or L6/6E and provides optional control wiring configurations for a drive.

Parameter

Parameters are programmable drive functions that define various operating functions or status displays of a drive. Refer to Bulletin 1336 PLUS Adjustable Frequency AC Drive User Manual for Parameter details.

Press

Press a button on the Human Interface Module to change Parameter settings and drive functions.

True

True refers to a logical true state. For instance, a Control Interface signal on TB3 is true when: L4/L4E contact input is closed, L5/L5E input terminal registers 24V, or L6/L6E input terminal registers 115V AC.

Related Publications

The following lists other Allen-Bradley publications that apply to the 1336 PLUS Adjustable Frequency AC Drives:

- Product Data (1336 PLUS-1.0)
- User Manual (1336 PLUS-5.0)
- Option Manuals/Instructions
- Renewal Parts List (1336-6.5)

Control Logic Wiring and Adapters

Chapter Objectives

This chapter introduces you to terminal block locations and wiring and adapter locations and functions.

Chapter Overview

This chapter illustrates and describes:

- Control Logic Interface Options L4, L5, and L6, including terminal block TB3
- TB3 input mode selections and functions
- TB3 terminal designations

IMPORTANT: All printed circuit boards, except the Main Control Board assembly, are referenced to negative ground (–bus).

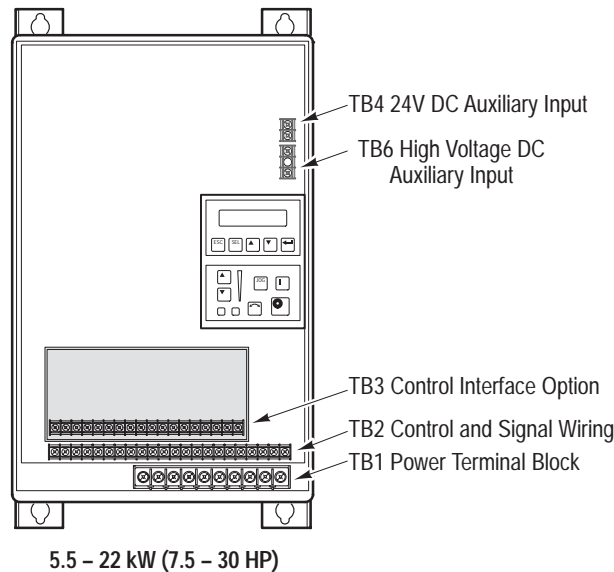


ATTENTION: Some printed circuit boards and drive components may contain hazardous voltage levels. Remove power before you disconnect or reconnect wires, and before you remove or replace fuses and circuit boards. Verify bus voltage by measuring the voltage between +DC and –DC on Terminal Block TB1. Do not attempt to service the drive until the bus voltage has discharged to zero volts.



ATTENTION: This assembly contains parts and sub-assemblies that are sensitive to electrostatic discharge. Static control precautions are required when servicing this assembly. Component damage may result if you ignore electrostatic discharge control procedures. If you are not familiar with static control procedures, reference Allen-Bradley Publication 8000-4.5.2, Guarding Against Electrostatic Discharge, or any other applicable ESD protection handbook.

Figure 1.1
Terminal Block Locations



AB0318A



ATTENTION: The National Electrical Code (NEC) and local codes outline provisions for safely installing electrical equipment. Installation must comply with specifications regarding wire types, conductor sizes, branch circuit protection and disconnect devices. Failure to do so may result in personal injury and/or equipment damage.

Control Interface Option

The Control Interface Option provides a means of interfacing various signals and commands to the 1336 PLUS by using contact closures.

Six different versions of the option are available:

- L4 Contact Closure Interface¹
- L4E Contact Closure Interface with Encoder Feedback Inputs¹
- L5 +24V AC/DC Interface
- L5E +24V AC/DC Interface with Encoder Feedback Inputs
- L6 115V AC Interface
- L6E 115V AC Interface with Encoder Feedback Inputs

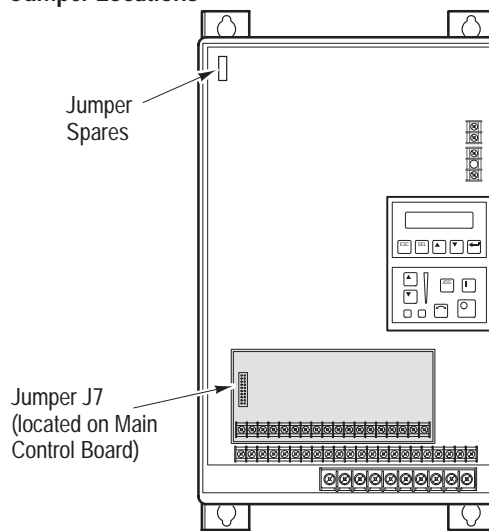
¹ Uses internal +5V DC supply.

The user inputs are connected to the option board through TB3. The L4, L5 and L6 options each have nine control inputs. The function of each input must be selected through programming as explained later in this section. The L4E, L5E and L6E options are similar to L4, L5 and L6 with the addition of encoder feedback inputs.

Control Interface Board Jumpers

IMPORTANT: If the Control Interface Board is being installed, Main Control Board jumpers at pins 3 & 4 and 17 & 18 of J4 (J7 on 7.5 – 30 HP drives) must be removed. If removed, these jumpers can be stored on the “spares” location on the Main Control Board. If this board is removed, these jumpers must be reinstalled and the [Input Mode] parameter must be programmed to “1”.

Figure 1.2
Jumper Locations



5.5 – 22 kW (7.5 – 30 HP)

AB0276C

Available Inputs

A variety of combinations made up of the following inputs are available.

Start	Enable
Stop/Clear Fault	Auxiliary
Reverse	2 Stop Mode Selects
Digital Potentiometer (MOP)	Run Forward
2 Accel/Decel Rates	Run Reverse
3 Speed Selects	Local Control

The available combinations are shown in Figure 1.2. Programming the [Input Mode] parameter to one of the Input Mode numbers listed selects that combination of input functions.

IMPORTANT: The [Input Mode] parameter can be changed at any time; however, programming changes will not take effect until power has been cycled to the drive. When changing an input mode, it is important to note that the corresponding inputs to TB3 may also change.

The programming options of the Control Interface Option allow the user to select an input combination to meet the needs of a specific installation. Appropriate selection of a combination may be done by using Table 1.A. First determine the type of start/stop/direction control desired. Then select the remaining control functions available. After selecting a group of Input Modes use Figure 1.2 for specific mode selection. Record the selected mode number below.

Selected Mode Number: _____

Local Programming

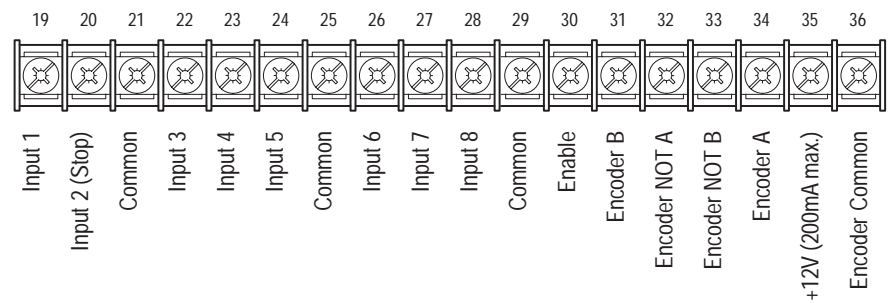
For local programming and control information, refer to the 1336 PLUS User Manual.

Table 1.A
Input Mode Selection

Start/Stop Type	Direction Control	Communication Compatibility	Mode(s) to Use
Stop & Enable Only	None	Control must be provided by HIM or Communication Option.	1
Momentary Pushbutton (3 Wire)	Maintained Switch (Open-Forward, Closed-Reverse)	Start/Stop – works in parallel with HIM and Communication Options. Direction Control will not work in parallel with HIM or Communication Options. User must select direction control from either HIM and Communication Options or TB3 input.	2 – 6
Momentary Pushbutton (3 Wire)	Momentary Pushbuttons (Forward and Reverse)	Start/Stop – works in parallel with HIM and Communication Options. Direction – works in parallel with HIM or Communication Options.	7 – 11
Maintained switches for combined run and direction control (2 wire, Run Forward, Run Reverse)		Start/Stop – not compatible with HIM or Communication Options. Direction – not compatible with HIM or Communication Options.	12 – 16

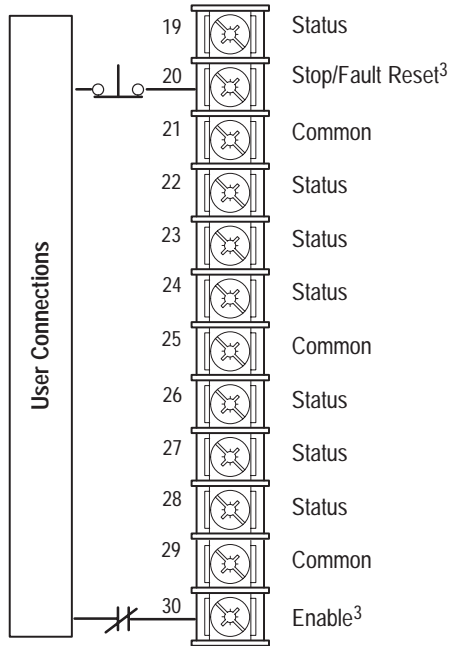
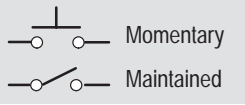
The maximum and minimum wire sizes accepted by TB3 is 2.1 and 0.30 mm² (14 and 22 AWG). Maximum torque for all terminals is 0.9 – 1.13 N-m (8 – 10 lb-in.).

Figure 1.3
TB3 Terminal Designations L4E, L5E, and L6E Only



AB0293A

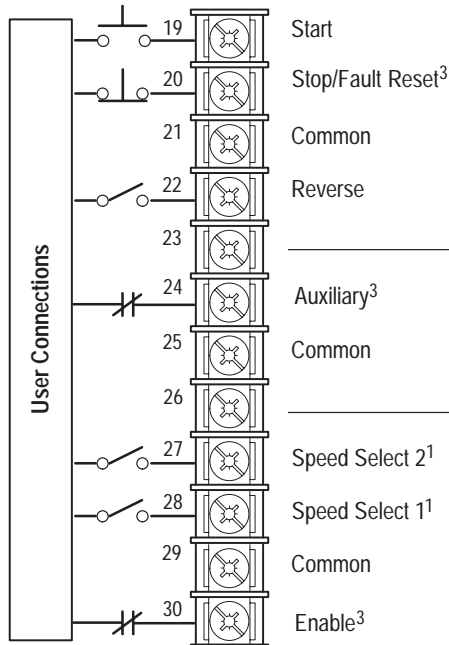
Figure 1.4
Input Mode Selection and Typical TB3 Connections



[Input Mode] 1
Factory Default

Note: If this mode is selected, the status of all inputs can be read at the [Input Status] parameter. However, only "Stop/Fault Reset" and "Enable" will have control function.

[Input Mode] 2 – 6
Three-Wire Control with Single-Source Reversing



	Mode				
	2	3	4	5	6
Terminal 23	Jog	Stop Type	2nd Accel	Digital Pot Up	Jog
Terminal 26	Speed Select 3 ¹	Speed Select 3 ¹	2nd Decel	Digital Pot Dn	Local Control ²

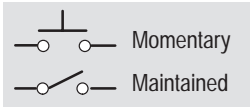
1 See Table 1.B.

2 Drive must be stopped to take Local Control. Control by all other adapters is disabled (except Stop).

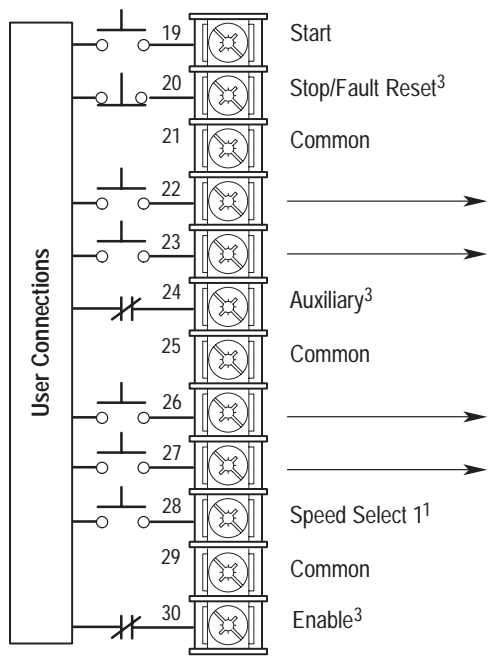
3 These inputs must be present before drive will start.

ATTENTION: The JOG function will not operate properly unless a SCANport option is connected to the drive. To assure proper JOG function, install at least one of the following:
1201-HAP, 1201-HA1, 1201-HA2, 1336-GM1. Applies to 1305 with firmware FRN 2.01 or earlier and 1336 PLUS with Language Module 1336S-EN firmware FRN 1.05 or earlier.





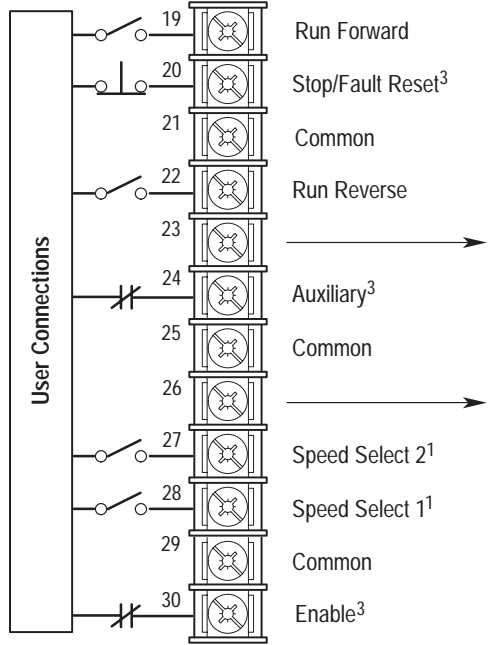
ATTENTION: The JOG function will not operate properly unless a SCANport option is connected to the drive. To assure proper JOG function, install at least one of the following:
1201-HAP, 1201-HA1, 1201-HA2, 1336-GM1. Applies to 1305 with firmware FRN 2.01 or earlier and 1336 PLUS with Language Module 1.336S-EN firmware FRN 1.05 or earlier.



[Input Mode] 7 – 11
Three-Wire Control with Multi-Source Reversing

	7	8	Mode 9	10	11
Reverse	Reverse	Reverse	Digital Pot Up	Reverse	1st Accel
Forward	Forward	Forward	Digital Pot Dn	Forward	2nd Accel
Jog	Speed Select 3¹	Speed Select 3¹	Speed Select 3¹	Digital Pot Up	1st Decel
Speed Select 2¹	Speed Select 2¹	Speed Select 2¹	Speed Select 2¹	Digital Pot Dn	2nd Decel

[Input Mode] 12 – 16
Two-Wire Control, Single-Source Control



	12	13	Mode 14	15	16
Local Control²	Local Control²	Stop Type	2nd Accel	Digital Pot Up	Local Control²
Speed Select 3¹	Speed Select 3¹	Speed Select 3¹	2nd Decel	Digital Pot Dn	Stop Type

1 See Table 1.B.
2 Drive must be stopped to take Local Control. Control by all other adapters is disabled (except Stop).
3 These inputs must be present before drive will start.

The following table defines the input state of the Speed Select inputs for a desired frequency source.

Table 1.B
Speed Select Input State vs. Frequency Source

Speed Select 3	Speed Select 2	Speed Select 1	Frequency Source
0	0	0	[Freq Select 1]
0	0	X	[Freq Select 2]
0	X	0	[Preset Freq 2]
0	X	X	[Preset Freq 3]
X	0	0	[Preset Freq 4]
X	0	X	[Preset Freq 5]
X	X	0	[Preset Freq 6]
X	X	X	[Preset Freq 7]

O = Open

X = Closed

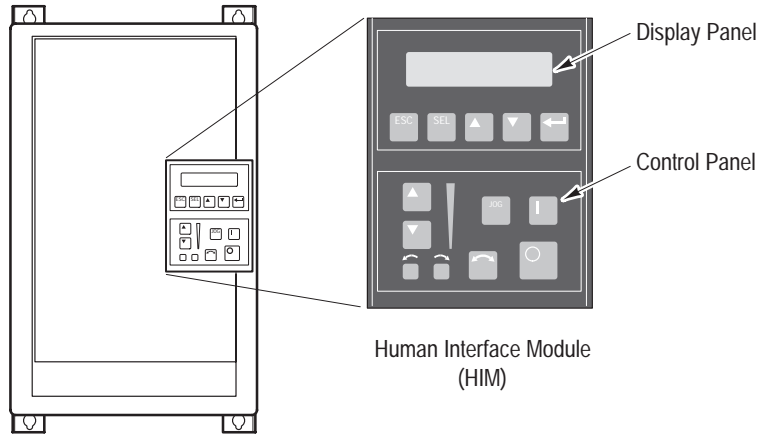
Human Interface Module (HIM)

Description

When the drive-mounted HIM is supplied, it will be connected as Adapter 1 (refer to Figure 1.7) and visible from the front of the drive. The HIM can be divided into two sections; Display Panel and Control Panel. The Display Panel provides a means of programming the drive and viewing the various operating parameters. The Control Panel allows different drive functions to be controlled. Refer to the 1336 PLUS User Manual for HIM operation.

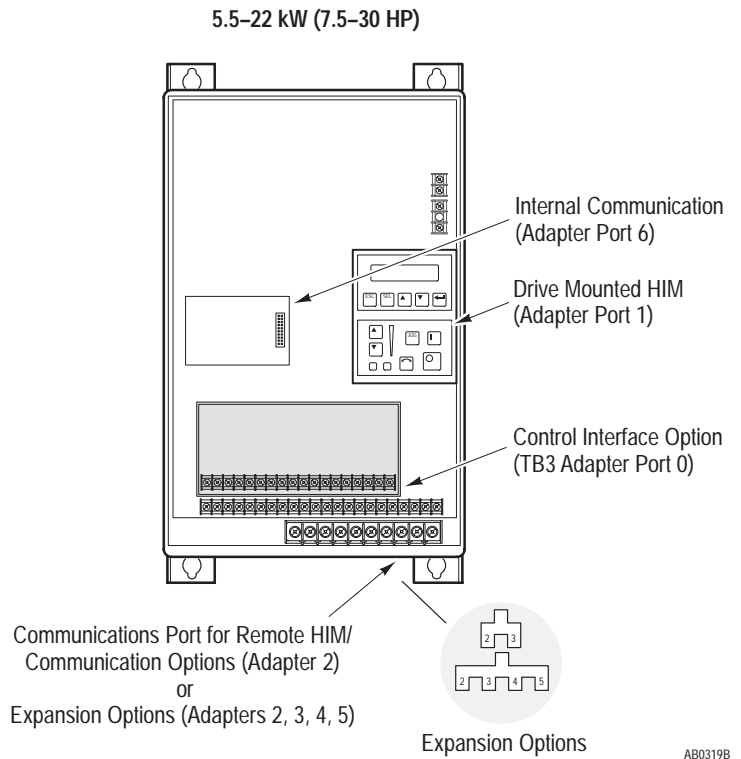
IMPORTANT: The operation of HIM functions depends upon drive parameter settings. Default parameter values allow full HIM functionality.

Figure 1.5
Human Interface Module



AB0268B

Figure 1.6
Adapter Locations



AB0319B

Module Removal



ATTENTION: Some voltages present behind the drive front cover are at incoming line potential. To avoid an electric shock hazard, use extreme caution when removing/replacing the HIM.

For hand-held operation, the module can be removed and located up to 10 meters (33 feet) from the drive.

IMPORTANT: Power must be removed to the drive or Bit 1 of the [Logic Mask] parameter must be set to “0” to allow removal of the HIM module without causing a Communication Fault. Setting Bit 1 of the [Logic Mask] parameter to “0” allows HIM removal while power is applied to the drive. Note that this also disables all HIM control functions except Stop.

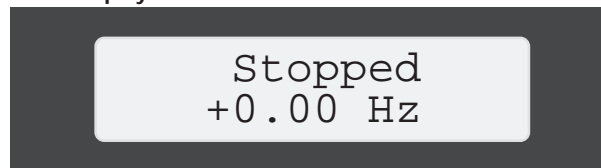
To remove the module:

1. Assure that power has been removed or [Logic Mask] has been set to “0”.
2. Take the drive front cover off and simply slide the module down and out of its cradle. Remove cable from module.
3. Connect the appropriate cable between the HIM and the Communications Port (Adapter 2, 3, 4, or 5).
4. Reverse the above steps to replace the module. Apply power or reset Bit 1 of the [Logic Mask] parameter to “1” to enable HIM control.

HIM Operation

When power is first applied to the drive, the HIM will cycle through a series of displays. These displays will show drive name, ID, and communication status. Upon completion, the Status Display (refer to Figure 1.7) will be shown. This display shows the current status of the drive (i.e. Stopped, Running, etc.) or any faults that may be present (Not Enabled, etc.). For HIM operation, refer to the 1336 PLUS User Manual.

Figure 1.7
Status Display



Troubleshooting and Error Codes

Chapter Objectives

This chapter helps you trace faults to field-replaceable components.

Troubleshooting Overview

To troubleshoot a 1336 PLUS Adjustable Frequency AC Drive, you need a Range DVM, DMM, or VOM with a range capacity of at least 1000 V.

IMPORTANT: All printed circuit boards, except the Main Control Board assembly, are referenced to negative ground (–bus).



ATTENTION: Power circuits are optically isolated from control driver circuits. Power circuit components are “floating” with respect to “ground.” Use only approved methods of isolating test equipment when making measurements in power circuits.



ATTENTION: Some printed circuit boards and drive components may contain hazardous voltage levels. Remove power before you disconnect or reconnect wires, and before you remove or replace fuses and circuit boards. Verify bus voltage by measuring the voltage between +DC and –DC on Terminal Block TB1. Do not attempt to service the drive until the bus voltage has discharged to zero volts.



ATTENTION: Potentially fatal voltages may result from improper usage of oscilloscope and other test equipment. The oscilloscope chassis may be at a potentially fatal voltage if not properly grounded. We do not recommend use of an oscilloscope to directly measure high voltages. Use an isolated measuring device with a high voltage probe. Contact Allen-Bradley Company for recommendations.



ATTENTION: To guard against equipment damage when troubleshooting the drive, always check the following before issuing a Start command:

- Set the Speed Reference to minimum.
 - Select the proper motor-rotation direction.
 - Disconnect the motor from its mechanical load.
-



ATTENTION: This assembly contains parts and sub-assemblies that are sensitive to electrostatic discharge. Static control precautions are required when servicing this assembly. Component damage may result if you ignore electrostatic discharge control procedures. If you are not familiar with static control procedures, reference Allen-Bradley Publication 8000-4.5.2, Guarding Against Electrostatic Discharge, or any other applicable ESD protection handbook.

Electrostatic Discharge Precautions

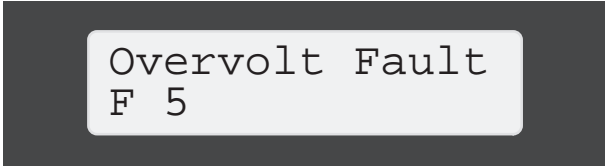
Electrostatic Discharge generated by static electricity can damage the complimentary metallic oxide semiconductor devices on various drive boards. It is recommended that you perform these procedures to guard against this type of damage when circuit boards are removed or installed:

- Wear a wrist type grounding strap that is grounded to the chassis.
- Attach the wrist strap before removing the new circuit board from the conductive packet.
- Remove boards from the drive and immediately insert them into their conductive packets.

Fault Descriptions

Fault Display

The LCD display is used to indicate a fault by showing a brief text statement relating to the fault (see figure below). The fault will be displayed until a drive reset is initiated. Refer to Table 2.A for a listing and description of the various faults. Table 2.B provides a listing of faults by number.



Overvolt Fault
F 5

IMPORTANT: Before clearing a fault, refer to the Fault Descriptions table and Diagnostic Procedures by Symptom flowcharts in this chapter to isolate and correct faults.

Contact Description

During normal operating conditions (no faults present, drive powered) the CR3 fault contacts at TB2-13 & 14 are open, and the contacts at TB2-14 & 15 are closed. When a fault occurs, the state of these contacts changes.

Table 2.A
1336 PLUS Fault Descriptions

Name & Fault #	Description	Action
Adptr Freq Err 65	The SCANport adapter that was the selected frequency reference sent a frequency greater than 32767 to the drive.	Correct the problem that is causing the SCANport adapter to send the illegal frequency reference to the drive.
Auxiliary Fault 02	The auxiliary input interlock is open.	If Control Interface option is installed, check connections at TB3-24. If option is not installed, set [Input Mode] to "1".
BGND 10ms Over 51	Microprocessor loop fault. Occurs if the 10ms background task hasn't been run in 15 ms.	Replace Main Control Board or complete drive as required.
Blwn Fuse Flt 58	If the difference between the commanded voltage and the measured voltage is greater than 1/8 of rated voltage for 0.5 seconds, then a fault will be issued indicating that the bus fuse in 30 kW (40 HP) and up drives has blown.	Locate cause, replace Fuse.
Diag C Lim Flt 36	The drive output current has exceeded the hardware current limit and the [Cur Lim Trip En] parameter was enabled.	Check programming of [Cur Lim Trip En] parameter. Check for excess load, improper DC boost setting, DC brake volts set too high or other causes of excess current.
Drive Fault Reset 22	Power-up has been attempted with an Open Stop contact or Closed Start contact.	Check/verify wiring and contact operation.
Drive -> HIM	Error 1 – The checksum read from the EEPROM does not match the checksum calculated from the EEPROM data.	Repeat operation. Replace HIM.
EE Init Read 53	<ol style="list-style-type: none"> Gate Driver Board replacement (requires re-initialization). Trouble reading EEPROM during initialization. 	<ol style="list-style-type: none"> Reset to factory defaults & cycle input power. Check all connections to the Power/Driver Board. Replace the board or complete drive as needed.
EE Init Value 54	Stored parameter value is out of range on initialization.	<ol style="list-style-type: none"> Reset to factory defaults & cycle input power. Check all connections to the Power/Driver Board. Replace the board or complete drive as needed.
EEprom Checksum 66	The checksum read from the EEPROM does not match the checksum calculated from the EEPROM data.	<ol style="list-style-type: none"> Reset to factory defaults & cycle input power. Check all wire and cable connections to the Power/Driver Board. Replace the Power/Driver Board or complete drive as required.
EEprom Fault 32	EEPROM is being programmed and will not write a new value.	Check all wire and cable connections to the Main Control Board. Replace Main Control Board or complete drive as required.
FGND 10ms Over 52	Microprocessor loop fault. Occurs if a 10ms interrupt is pending before the current interrupt is complete.	Replace Main Control Board or complete drive as required.
Ground Fault 13	A current path to earth ground in excess of 100A has been detected at one or more of the drive output terminals. NOTE: If ground current exceeds 220% of drive rated current, "Overcurrent Flt" may occur instead of Ground Fault.	Check the motor and external wiring to the drive output terminals for a grounded condition.

Table 2.A (continued)
1336 PLUS Fault Descriptions

Name & Fault #	Description	Action
Ground Warning 57	A current path to earth ground in excess of 2A has been detected at one or more of the drive output terminals. See [Ground Warning].	Check the motor and external wiring to the drive output terminals for a grounded condition.
Hertz Err Fault 29	This fault indicates that there is not a valid operating frequency. It can be caused by any of the following: 1. [Maximum Freq] is less than [Minimum Freq]. 2. Skip frequencies and skip bandwidth eliminate all operating frequencies. 3. 4–20mA input signal speed reference has been lost and [4–20mA Loss Sel] is set for “Stop-Fault.”	<ol style="list-style-type: none"> 1. Check [Minimum Freq] and [Maximum Freq] parameters. 2. Check [Skip Freq 1], [Skip Freq 2], [Skip Freq 3] and [Skip Freq Band] parameters. 3. Check for broken wires, loose connections or transducer loss at 4–20mA input, TB2.
Hertz Sel Fault 30	A frequency select parameter has been programmed with an out of range value.	Reprogram [Freq Select 1] and/or [Freq Select 2] with a correct value. If problem persists, replace Main Control Board or complete drive.
HIM -> Drive	Error 1 – The checksum read from the EEPROM does not match the checksum calculated from the EEPROM data. Error 2 – Number of parameters in saved profile does not equal master. Error 3 – Download was attempted to a different type drive (i.e. 1336 -> 1305). Error 4 – Saved data not correct for new drive. Error 5 – Drive is running while attempting download.	Retry download. Replace HIM. Retry download. Replace HIM. Download can only take place with same type drive. Capabilities of drive different than master drive. Reprogram param. Stop drive, then perform download.
Loop Overrn Flt 23	An overrun of the 2.5ms control loop has occurred.	Check all connections to the Power/Driver Board. Replace the board or complete drive as required.
Max Retries Fault 33	Drive unsuccessfully attempted to reset a fault and resume running for the programmed number of [Reset/Run Tries].	Check fault buffer for fault code requiring reset. Correct the cause of the fault and manually clear by pressing the local Stop key or cycling the TB3 Stop input.
Motor Mode Flt 24	A fault has been detected originating from the Control Board.	Check all connections to the Control Board. Replace the board, Language Module, or complete drive as required.
Motor Stall Fault 06	Current remained over 150% for more than 4 seconds.	If the motor is drawing excessive current (over 150%), the motor load is excessive and will not allow the drive to accelerate to set speed. A longer accel time or a reduced load may be required.

Table 2.A (continued)
1336 PLUS Fault Descriptions

Name & Fault #	Description	Action
Neg Slope Fault 35	Drive software detected a portion of the volts/hertz curve with a negative slope.	Check drive programming: 1. [Maximum Voltage] parameter must be greater than [Base Voltage]. 2. [Maximum Freq] parameter must be greater than [Base Frequency]. 3. [Base Voltage] parameter must be greater than [Start Boost]. 4. If the [DC Boost Select] parameter is set to "Custom" [Base Voltage] must be greater than [Break Voltage] and [Break Voltage] must be greater than [Start Boost].
Open Pot Fault 09	An external pot is connected and the common side of the pot is open. The drive generates this fault when the voltage between TB2-2 and TB2-3 exceeds 3.9V DC.	Check the external potentiometer circuit at TB2, terminals 1, 2 and 3 for an open circuit.
Op Error Fault 11	A SCANport™ device requests a Read or Write of a data type not supported. This will also occur if: 1. [Motor Type] is set to "Sync PM" and [Stop Mode Used] is set to "DC Brake", or 2. [Motor Type] is set to "Sync Reluc" or "Sync PM" and [Speed Control] is set to "Slip Comp".	Check programming.
Overcurrent Flt 12	Overcurrent is detected in overcurrent hardware trip circuit.	Check for a short circuit at the drive output or excessive load conditions at the motor.
Overload Fault 07	Internal electronic overload trip.	An excessive motor load exists. It must be reduced such that drive output current does not exceed the current set by the [Overload Amps] parameter.
Overtemp Fault 08	Heat sink temperature exceeds a predefined value of 90°C (195°F).	Check for blocked or dirty heat sink fins. Check that the ambient temperature has not exceeded 40°C (104°F).
Overvolt Fault 05	DC bus voltage exceeded maximum value.	Monitor the AC line for high line voltage or transient conditions. Bus overvoltage can also be caused by motor regeneration. Extend the decel time or install dynamic brake option.
Phase U Fault 38	A phase to ground fault has been detected between the drive and motor in this phase.	Check the wiring between the drive and motor. Check motor for grounded phase.
Phase V Fault 39	A phase to ground fault has been detected between the drive and motor in this phase.	Check the wiring between the drive and motor. Check motor for grounded phase.
Phase W Fault 40	A phase to ground fault has been detected between the drive and motor in this phase.	Check the wiring between the drive and motor. Check motor for grounded phase.
P Jump Err Flt 37	Reserved for future use.	

Table 2.A (continued)
1336 PLUS Fault Descriptions

Name & Fault #	Description	Action
Pole Calc Fault 50	Generated if the calculated value of [Motor Poles] is less than 2 or greater than 32.	Check [Motor NP RPM] and [Motor NP Hertz] programming.
Power Loss Fault 03	DC bus voltage remained below 85% of nominal for longer than 0.500ms. [Line Loss Fault] parameter is set to "enabled."	Monitor the incoming AC line for low voltage or line power interruption.
Power Mode Fault 26	The internal power mode variable received an incorrect value.	Check all connections to the Control Board. Replace the board, Language Module, or complete drive as required.
Power Overload 64	The drive rating of 150% for 1 minute has been exceeded.	Reduce load.
Power Test Flt 46	The internal power mode variable received an incorrect value.	Check all connections to the Power/Driver Board. Replace the board or complete drive as required.
Precharge Fault 19	Occurs if precharge device is open 20ms after the end of a line loss condition or if the bus charging alarm remains on for 20 seconds (precharge did not complete).	All larger frames – Check the precharge circuit. Replace the input SCRs, SCR Firing Board, Power Driver Board or complete drive as needed.
Precharge Open 56	The precharge circuit was commanded to close, but was detected to be open.	All larger frames – Check the precharge circuit. Replace the input SCRs, SCR Firing Board, Power Driver Board or complete drive as needed.
Reprogram Fault 48	The drive was commanded to write default values to EEPROM.	1. Clear the fault or cycle power to the drive. 2. Program the drive parameters as needed. Important: If [Input Mode] has been changed from its original value, power must be cycled before the new value will take affect.
ROM or RAM Flt 68	Internal power-up ROM or RAM tests have not executed properly.	Check Language Module. Replace Control Board or complete drive as required.
Run Boost Fault 34	An attempt has been made to set the [Run Boost] parameter to a value greater than the [Start Boost] parameter.	Verify that parameter has been programmed correctly.
Serial Fault 10	A SCANport adapter has been disconnected and the [Logic Mask] bit for that adapter is set to "1."	1. If no adapter was intentionally disconnected, check wiring to the SCANport adapters. Replace wiring, SCANport expander, SCANport adapters, Main Control Board or complete drive as required. 2. If an adapter was intentionally disconnected and the [Logic Mask] bit for that adapter is set to "1", this fault will occur. To guard against this fault occurring, set the [Logic Mask] bit for the adapter to "0."
Shear Pin Fault 63	Programmed [Current Limit] amps has been exceeded and [Shear Pin Fault] is enabled.	Check load requirements and [Current Limit] setting.

Table 2.A (continued)
1336 PLUS Fault Descriptions

Name & Fault #	Description	Action
Temp Sense Open 55	Heat sink thermistor is open or malfunctioning.	Check thermistor and connections.
Undervolt Fault 04	DC Bus voltage fell below the minimum value (388V DC at 460V AC input). [Line Loss Fault] and [Low Bus Fault] set to "enabled."	Monitor the incoming AC line for low voltage or line power interruption.
UV Short Fault 41	Excessive current has been detected between these two output terminals.	Check the motor and external wiring to the drive output terminals for a shorted condition.
UW Short Fault 42	Excessive current has been detected between these two output terminals.	Check the motor and external wiring to the drive output terminals for a shorted condition.
VW Short Fault 43	Excessive current has been detected between these two output terminals.	Check the motor and external wiring to the drive output terminals for a shorted condition.
Xsistr Desat Flt 47	One or more of the output transistors were operating in the active region instead of desaturation. This can be caused by excessive transistor current or insufficient base drive voltage.	Check for damaged output transistors. Replace output transistors, Power Driver Board or complete drive as needed.

Table 2.B
Fault Code Cross Reference

Fault #	Display Name	Reset/Run
02	Auxiliary Fault	Yes
03	Power Loss Fault	Yes
04	Undervolt Fault	Yes
05	Overvolt Fault	Yes
06	Motor Stall Fault	Yes
07	Overload Fault	Yes
08	Overtemp Fault	Yes
09	Open Pot Fault	No
10	Serial Fault	No
11	Op Error Fault	No
12	Overcurrent Flt	Yes
13	Ground Fault	No
19	Precharge Fault	No
22	Drive Fault Reset	Yes
23	Loop Overrn Flt	Yes
24	Motor Mode Flt	Yes
26	Power Mode Fault	Yes
28	Timeout Fault	No
29	Hertz Err Fault	No
30	Hertz Set Fault	No
31	Timeout Fault	No
32	EEprom Fault	No
33	Max Retries Fault	No
34	Run Boost Fault	No
35	Neg Slope Fault	No

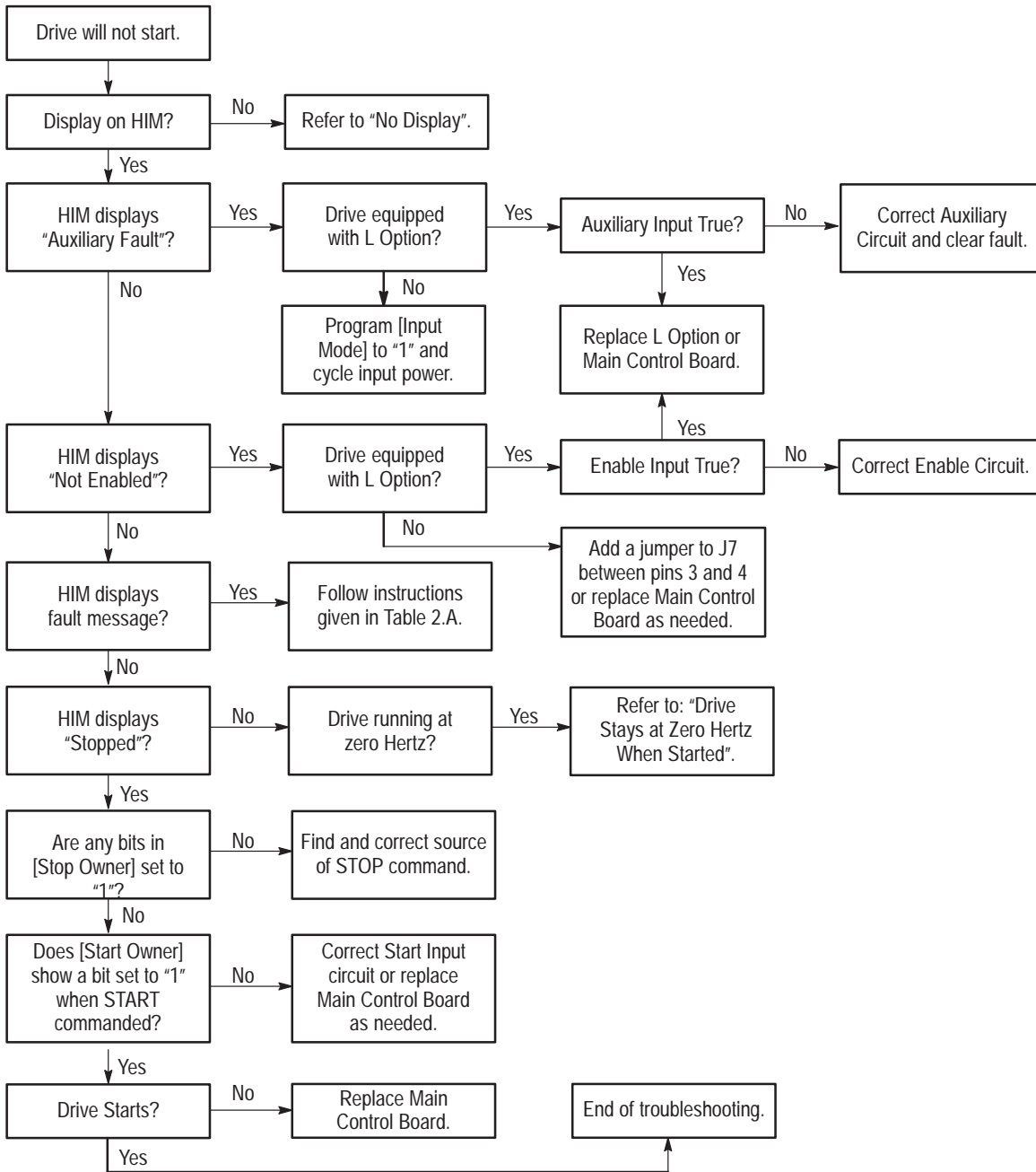
Table 2.B (continued)
Fault Code Cross Reference

Fault #	Display Name	Reset/Run
36	Diag C Lim Flt	No
37	P Jump Err Flt	No
38	Phase U Fault	No
39	Phase V Fault	No
40	Phase W Fault	No
41	UV Short Fault	No
42	UW Short Fault	No
43	VW Short Fault	No
46	Power Test Flt	No
47	Xsistr Desat Flt	No
48	Reprogram Fault	No
50	Pole Calc Fault	No
51	BGND 10ms Over	Yes
52	FGND 10ms Over	Yes
53	EE Init Read	No
54	EE Init Value	No
55	Temp Sense Open	No
56	Precharge Open	No
57	Ground Warning	No
58	Blwn Fuse Flt	No
63	Shear Pin Fault	No
64	Power Overload	No
65	Adptr Freq Err	No
66	EEprom Checksum	No
68	ROM or RAM Flt	No

**Diagnostic Procedures
 by Symptom**

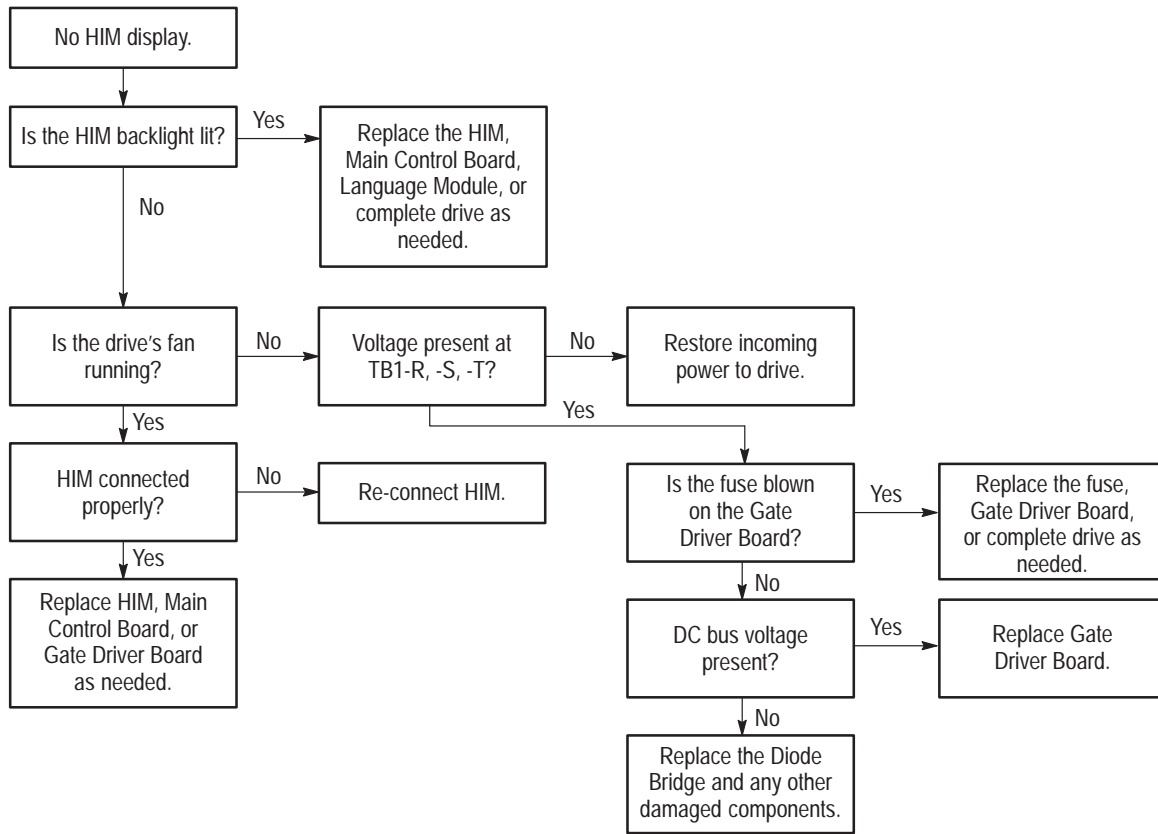
These charts list drive symptoms, symptom descriptions, and recommended actions to remedy the symptoms.

Drive Will Not Start



AB0416B

No Display

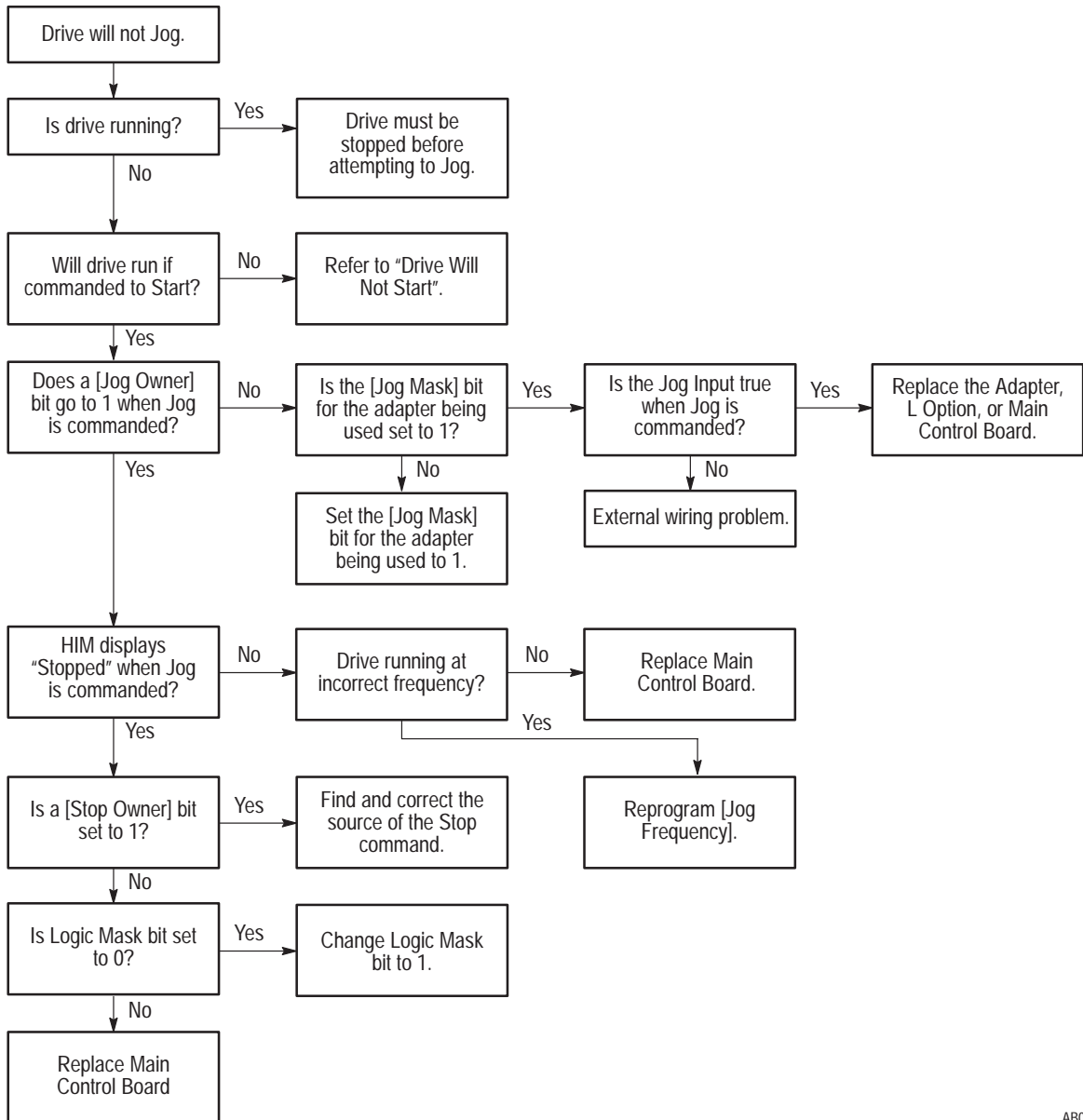


AB0417A

Drive Will Not Jog

Local Human Interface Module used to control drive.

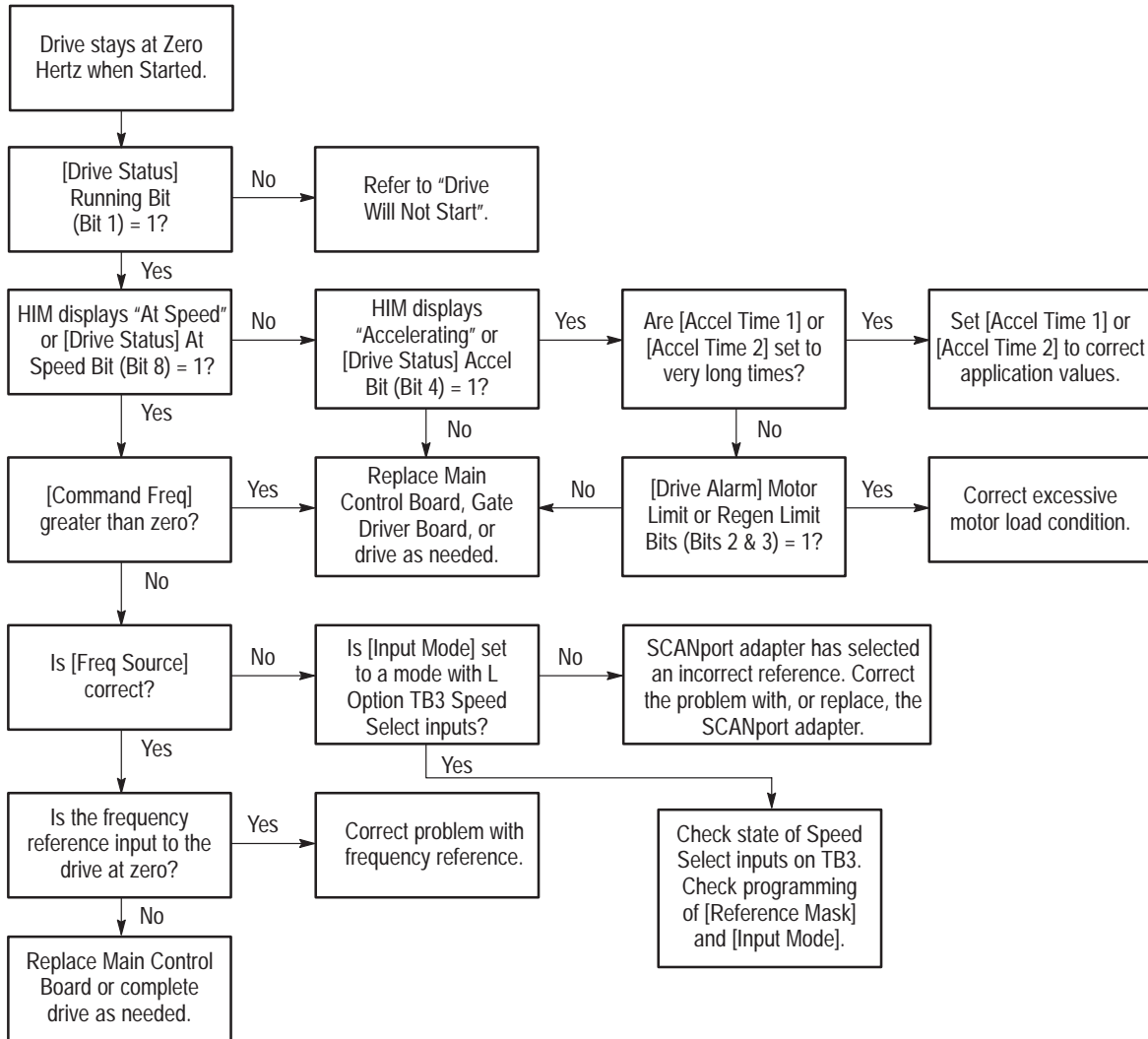
JOG is not active if a START command is present. START command always overrides a JOG command.



AB0418A

Drive Stays at Zero Hertz When Started

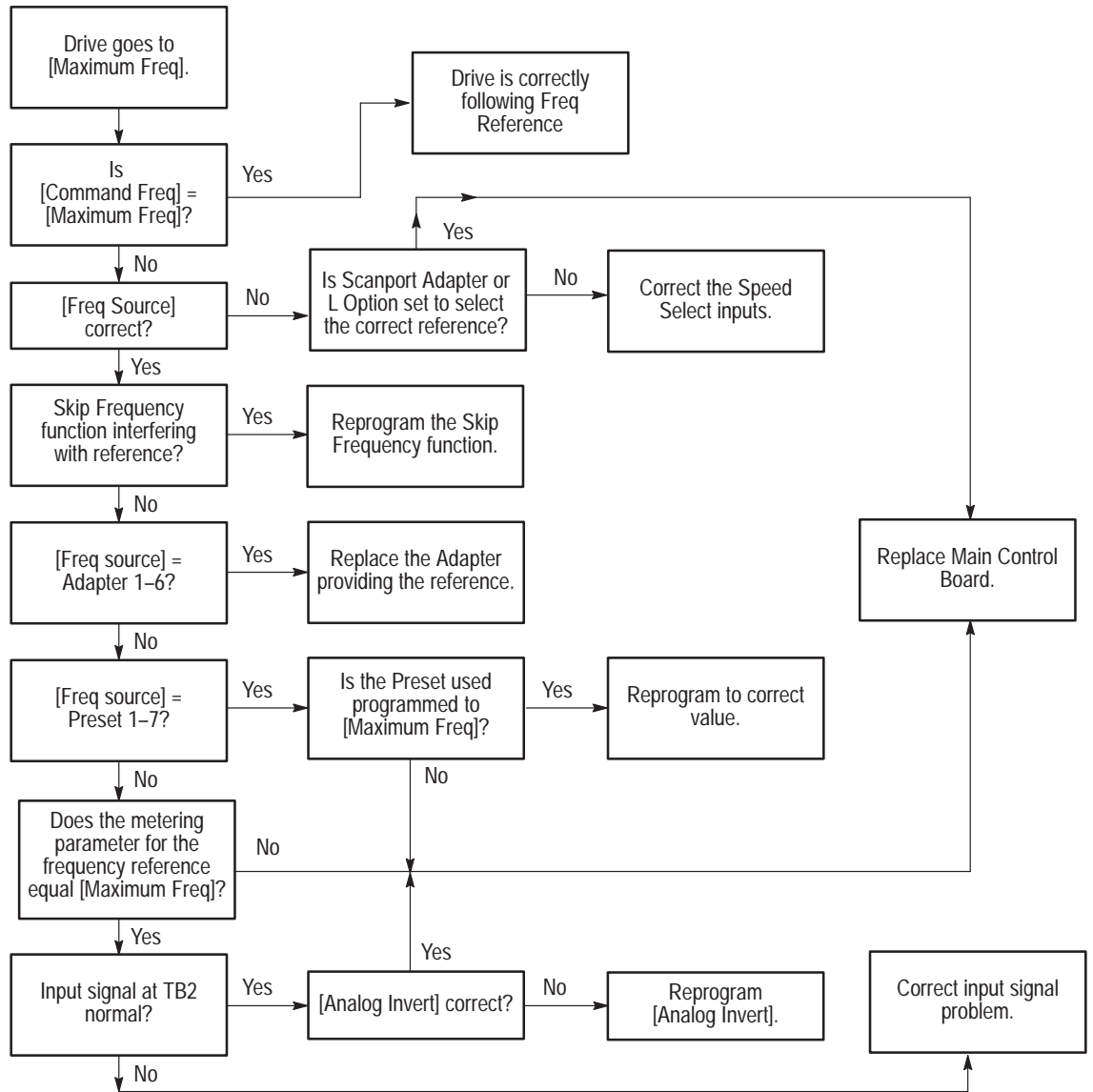
IMPORTANT: [Command Frequency] parameter in the Metering Group can be checked using the HIM.



AB0419A

Drive Goes to Max Frequency

IMPORTANT: [Command Frequency] parameter in the Metering Group can be checked using the HIM.



AB0420B

Clearing Faults

After correcting a fault, you can clear a fault from the drive in one of three ways:

1. Cycle the input power to the drive.
2. Press the Stop button. This works only if [Fault Clear Mode] is set to “Enabled”.
3. Issue a reset command from a serial device.

This Page Intentionally Left Blank

Disassembly and Access Procedures

Chapter Objectives

This chapter describes general disassembly procedures required to access internal drive components.

Disassembly and Access Overview



ATTENTION: Some printed circuit boards and drive components may contain hazardous voltage levels. Remove and lock out power before you disconnect or reconnect wires, and before you remove or replace fuses and circuit boards. Verify bus voltage by measuring the voltage between +DC and –DC on Terminal Block TB1. Do not attempt to service the drive until the bus voltage has discharged to zero volts.



ATTENTION: Servicing energized industrial control equipment can be hazardous. Electrical shock, burns, or unintentional actuation of controlled industrial equipment may cause death or serious injury. Follow the safety-related practices of NFPA 70E, Electrical Safety for Employee Workplaces, when working on or near energized equipment. Do not work alone on energized equipment.

Electrostatic Discharge Precautions



ATTENTION: This assembly contains parts and sub-assemblies that are sensitive to electrostatic discharge. Static control precautions are required when servicing this assembly. Component damage may result if you ignore electrostatic discharge control procedures. If you are not familiar with static control procedures, reference Allen-Bradley Publication 8000-4.5.2, Guarding Against Electrostatic Discharge, or any other applicable ESD protection handbook.

Electrostatic discharge generated by static electricity can damage the complimentary metallic oxide semiconductor devices on various drive boards. It is recommended that you perform these procedures to guard against this type of damage when circuit boards are removed or installed:

- Wear a wrist-type grounding strap that is grounded to the chassis.
- Attach the wrist strap before removing the new circuit board from the conductive packet.
- Remove boards from the drive and immediately insert them into their conductive packets.

Tools

You need the following tools to disassemble and assemble the drive:

- Pliers
- #2 Phillips screwdriver
- 5/16-inch or 8mm socket
- Torque wrench, metered in lb-in. or N-m

Fastener Torque Specifications

Torque Sequence

When mounting components to a drive's heat sink, component-fastener torque sequences and tolerances are crucial to component-to-heat sink heat dissipation.

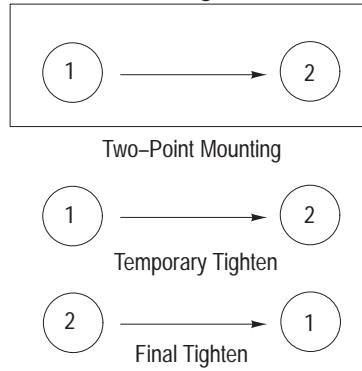


ATTENTION: Component can be damaged if temporary tightening procedure is not performed to specification.

Two-Point Mounting

The following illustrates temporary and final tightening sequences for components fastened to a heat sink using two screws. Temporary torque is 1/3 (33%) of final torque. The numeric illustration labels are for your assistance. Drive components do not carry these labels.

Figure 3.1
Two-Point Mounting

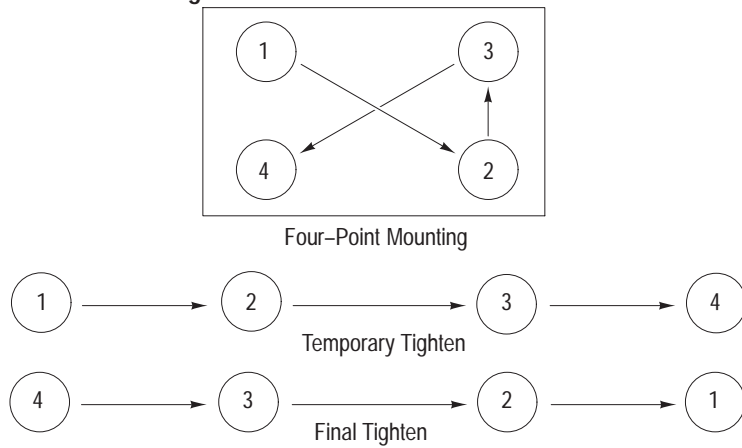


AB0016A

Four-Point Mounting

The following illustrates temporary and final tightening sequences for components fastened to a heat sink using four screws. Temporary torque is 1/3 (33%) of final torque. The numeric illustration labels are for your assistance. Drive components do not carry these labels.

Figure 3.2
Four-Point Mounting



AB0017A

Torque Specifications

The following table lists fastener locations by component, how the fasteners are used, and torque specifications. Refer to Torque Sequence in this chapter for fastening two-point and four-point components to the heat sink.

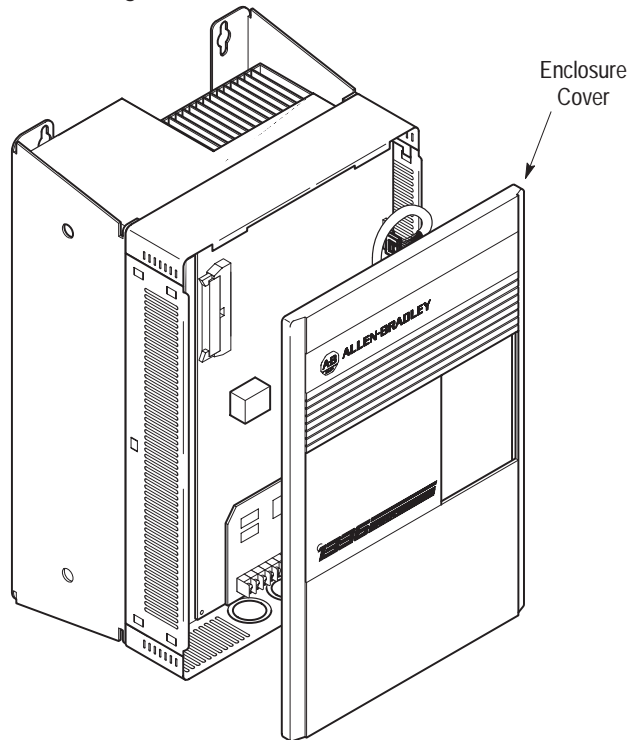
Table 3.A
Fastener Torque Specifications

Component	Fastener Application	Torque, lb-in.	Torque, N-m
Bus Capacitor Ass'y	Ass'y to chassis	22 – 30	2.5 – 3.4
Gate Driver Board	Driver board to capacitors	22 – 30	2.5 – 3.4
Gate Driver Board	Driver board to inductor	22 – 30	2.5 – 3.4
Gate Driver Board	Module (M5 screw)	22 – 30	2.5 – 3.4
Gate Driver Board	Module (M6 screw)	30 – 39	3.4 – 4.4
Bridge Rectifier BR1	BR1 to Driver board	22 – 30	2.5 – 3.4
Bridge Rectifier BR1	BR1 to heat sink	25 – 31	2.8 – 3.5
Precharge Module	M1 to heat sink	22 – 30	2.5 – 3.4
Precharge Module	M1 to Driver board	22 – 30	2.5 – 3.4
Transistor Modules Q1 – Q3	Module to heat sink	25 – 31	2.8 – 3.5
Inductor	Inductor to chassis	22 – 30	2.5 – 3.4
TB1	Wires to TB1	16	1.8
TB3	Wires to TB3	8 – 10	0.9 – 1.1

Disassembly and Access Procedures

Removing the Drive Enclosure

Figure 3.3
Removing the Drive Enclosure



AB0300B

Removal



ATTENTION: Disconnect and lock out power from the drive before disassembling the drive. Failure to disconnect power may result in death or serious injury. Verify bus voltage by measuring the voltage between +DC and -DC on Terminal Block TB1. Do not attempt to service the drive until the bus voltage has discharged to zero volts.



ATTENTION: Wear a wrist-type grounding strap when servicing 1336 PLUS Drives. Failure to protect drive components against ESD may damage drive components. Refer to Electrostatic Discharge Precautions at the beginning of this chapter.

1. Remove power from the drive.
2. Remove the screw(s) fastening the Enclosure cover to the Enclosure frame.
3. Pull the bottom of the cover outward to clear the Enclosure frame, then lift the cover upward to remove the cover.
4. Remove the screws from the Enclosure frame top and bottom panels.
5. Check for zero volts at TB1 terminals +DC and –DC.
6. Check for the absence of control voltage before servicing the drive.

Installation

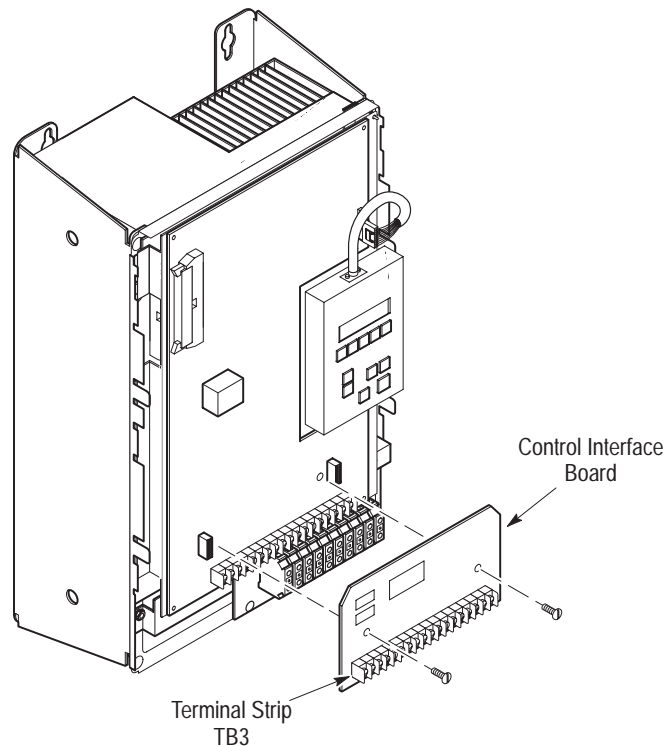
Install the Enclosure in reverse order of removal.



ATTENTION: Replace all guards before applying power to the drive. Failure to replace guards may result in death or serious injury.

Removing Control Interface Board MOD – L4, – L5, or – L6

Figure 3.4
Control Interface Board



AB0310A

Removal



ATTENTION: Disconnect and lock out power from the drive before disassembling the drive. Failure to disconnect power may result in death or serious injury. Verify bus voltage by measuring the voltage between +DC and –DC on Terminal Block TB1. Do not attempt to service the drive until the bus voltage has discharged to zero volts.



ATTENTION: Wear a wrist-type grounding strap when servicing 1336 PLUS Drives. Failure to protect drive components against ESD may damage drive components. Refer to Electrostatic Discharge Precautions at the beginning of this chapter.

IMPORTANT: Before you remove connections and wires from the drive components, mark the connections and wires to correspond with their component connections and terminals to prevent incorrect wiring during assembly.

1. Remove power from the drive.
2. Remove the Enclosure cover if the drive has an enclosure. Refer to Removing the Drive Enclosure in this chapter.
3. Check for zero volts at TB1 terminals +DC and –DC.
4. Check for the absence of control voltage.
5. Remove all wires from the terminals on TB3.
6. Loosen the two captive screws fastening the Control Interface Board to the Main Control Board.
7. Grip the right and left sides of the Control Interface Board and pull the board straight outward from the Main Control Board.

Installation

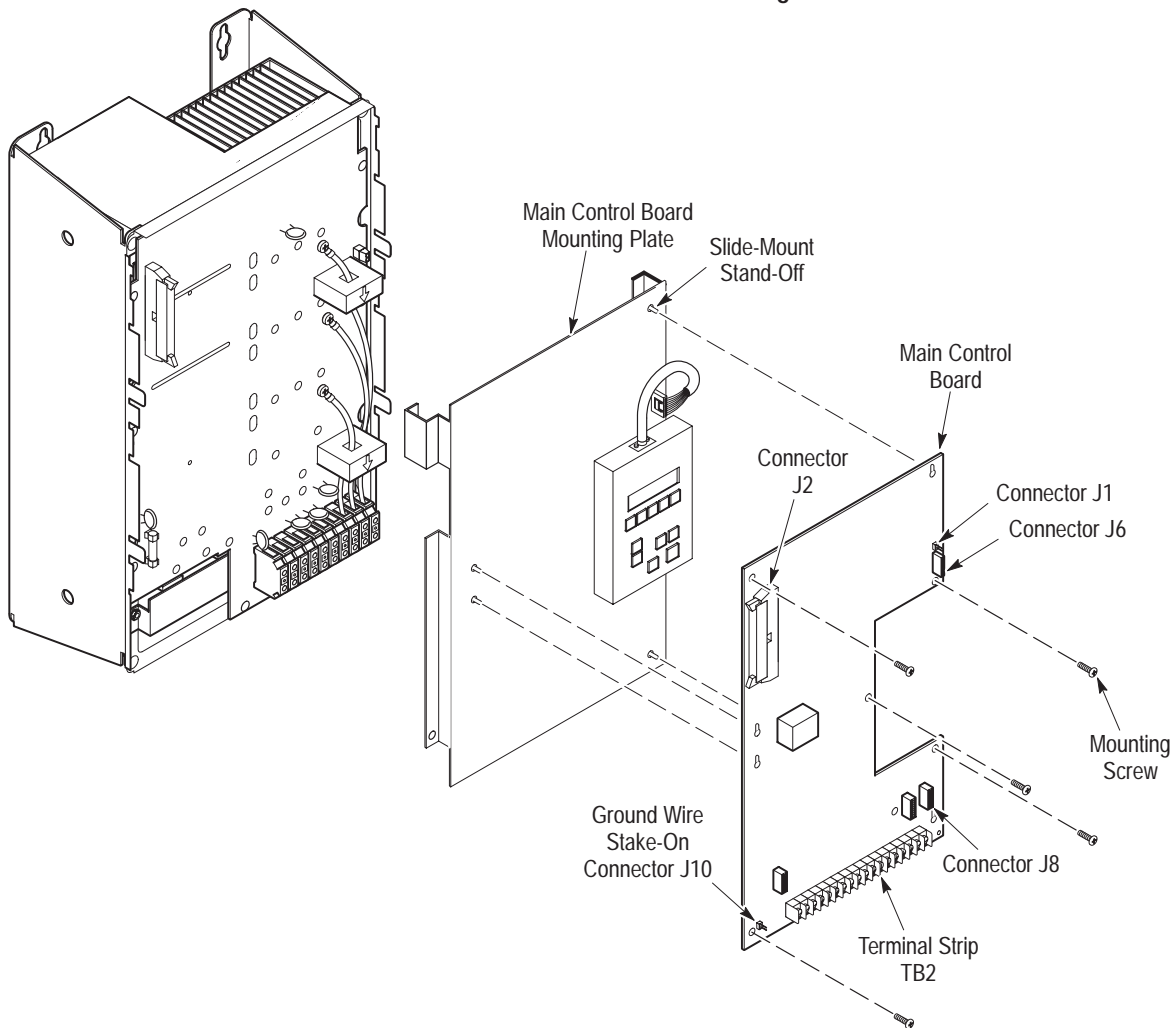
Install the Control Interface Board in reverse order of removal.



ATTENTION: Replace all guards before applying power to the drive. Failure to replace guards may result in death or serious injury.

Removing the Main Control Board

Figure 3.5
Main Control Board and Mounting Plate



AB0317B

Removal



ATTENTION: Disconnect and lock out power from the drive before disassembling the drive. Failure to disconnect power may result in death or serious injury. Verify bus voltage by measuring the voltage between +DC and -DC on Terminal Block TB1. Do not attempt to service the drive until the bus voltage has discharged to zero volts.



ATTENTION: Wear a wrist-type grounding strap when servicing 1336 PLUS Drives. Failure to protect drive components against ESD may damage drive components. Refer to Electrostatic Discharge Precautions at the beginning of this chapter.

IMPORTANT: Before you remove connections and wires from the drive components, mark the connections and wires to correspond with their component connections and terminals to prevent incorrect wiring during assembly.

1. Remove the Enclosure cover if the drive has an enclosure. Refer to Removing the Drive Enclosure in this chapter.
2. Remove power from the Drive.
3. Check for zero volts at TB1 Terminals +DC and –DC.
4. Check for the absence of control voltage.
5. Remove all wires from Terminal Strip TB3 if a Control Interface Board is used.
6. Disconnect the following from the Main Control Board:
 - J2 ribbon cable connector
 - J1 connector
 - J10 ground wire at the stake-on connector
 - J6 connector
 - J8 connector
 - All wires from the terminals on TB2
7. Remove the five screws fastening the Main Control Board to the mounting plate.
8. Lift the Main Control Board upward to release it from the slide-mount stand-offs.
9. Pull the Main Control Board away from the mounting plate.

Installation

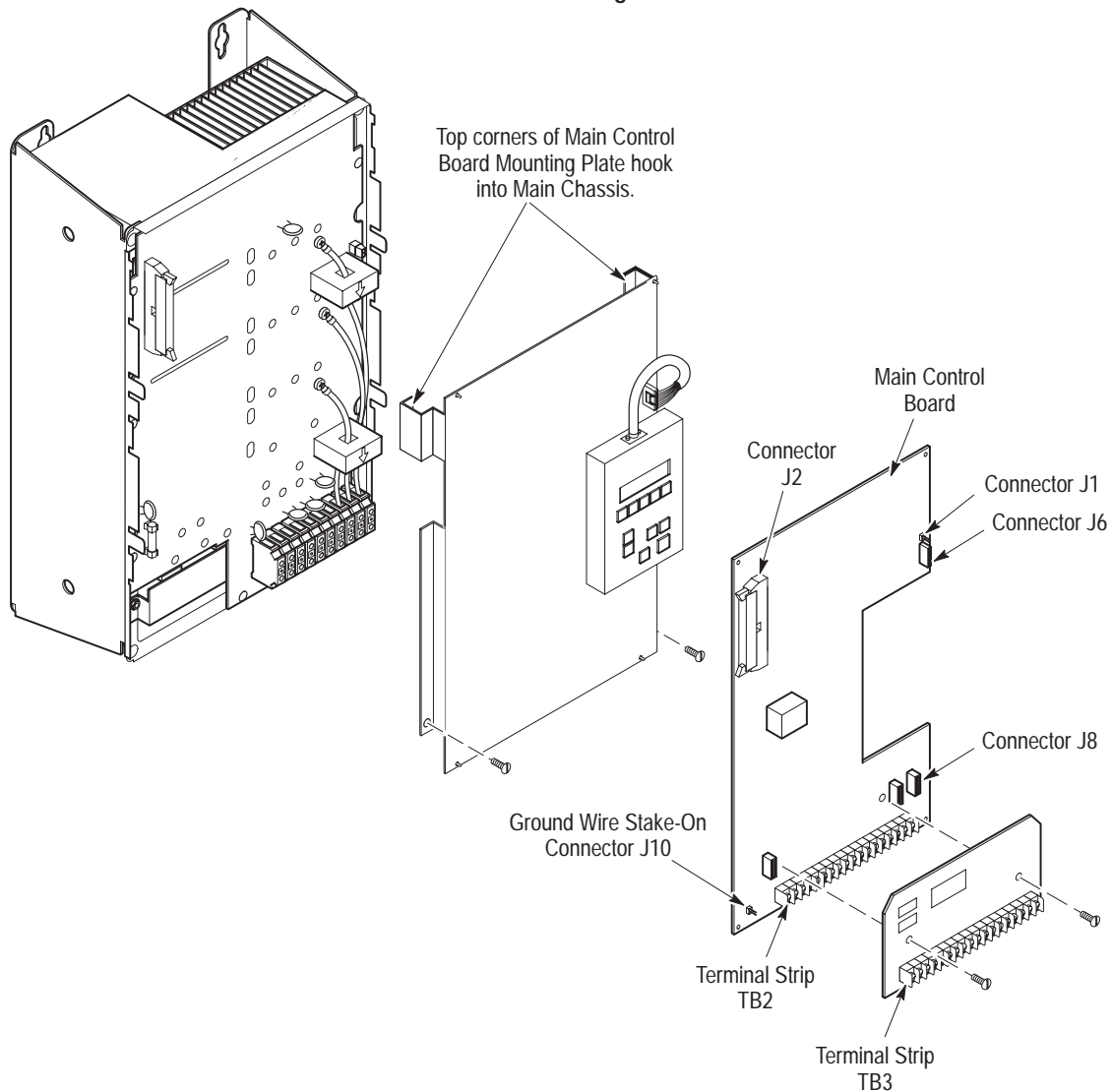
Install the Main Control Board in reverse order of removal.



ATTENTION: Replace all guards before applying power to the drive. Failure to replace guards may result in death or serious injury.

Removing the Main Control Board Mounting Plate

Figure 3.6
Main Control Board Mounting Plate



AB0311B

Removal



ATTENTION: Disconnect and lock out power from the drive before disassembling the drive. Failure to disconnect power may result in death or serious injury. Verify bus voltage by measuring the voltage between +DC and -DC on Terminal Block TB1. Do not attempt to service the drive until the bus voltage has discharged to zero volts.



ATTENTION: Wear a wrist-type grounding strap when servicing 1336 PLUS Drives. Failure to protect drive components against ESD may damage drive components. Refer to Electrostatic Discharge Precautions at the beginning of this chapter.

IMPORTANT: Before you remove connections and wires from the drive components, mark the connections and wires to correspond with their component connections and terminals to prevent incorrect wiring during assembly.

1. Remove power from the drive.
2. Remove the Enclosure cover if the drive has an enclosure. Refer to Removing the Drive Enclosure in this chapter.
3. Check for zero volts at TB1 terminals +DC and –DC.
4. Check for the absence of control voltage.
5. Disconnect the following from the Main Control Board:
 - J2 ribbon cable connector
 - J1 connector
 - J10 ground wire at the stake-on connector
 - J6 connector
 - J8 connector
 - All wires from the terminals on TB2
 - All wires from the terminals on TB3 if Control Interface Board is used
6. Loosen the two captive screws near the bottom of the Main Control Board Mounting Plate.
7. Pull the Main Control Board Mounting Plate out about two inches, then slide it downward.

Installation

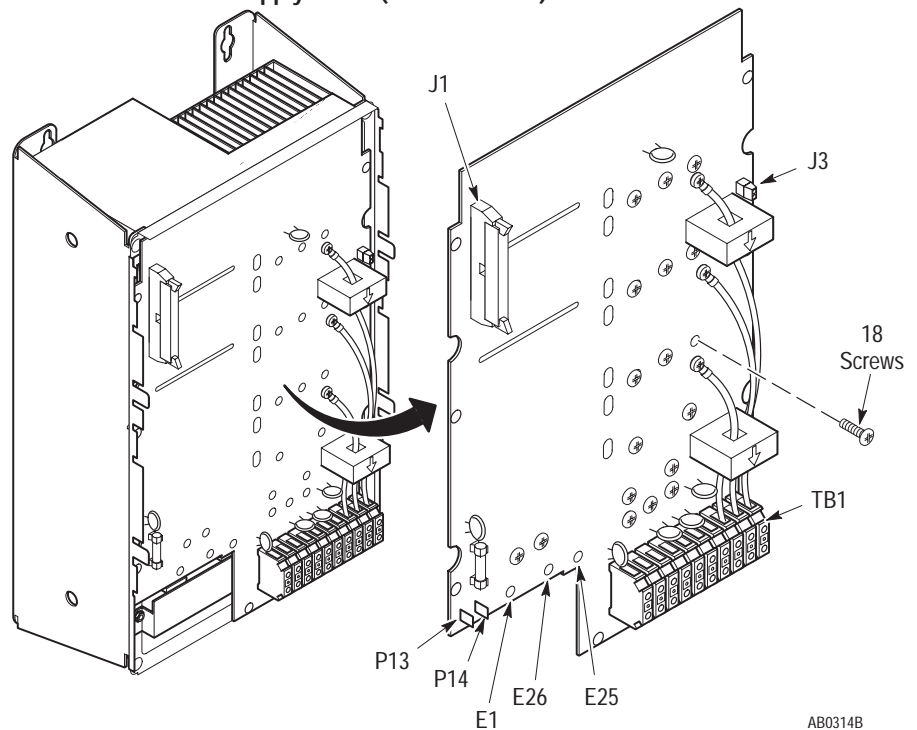
Install the Main Control Board Mounting Plate in reverse order of removal.



ATTENTION: Replace all guards before applying power to the drive. Failure to replace guards may result in death or serious injury.

Removing the Gate Driver/Power Supply Board (Series A and B)

Figure 3.7
Gate Driver/Power Supply Board (Series A and B)



AB0314B

Removal



ATTENTION: Disconnect and lock out power from the drive before disassembling the drive. Failure to disconnect power may result in death or serious injury. Verify bus voltage by measuring the voltage between +DC and -DC on Terminal Block TB1. Do not attempt to service the drive until the bus voltage has discharged to zero volts.



ATTENTION: Wear a wrist-type grounding strap when servicing 1336 PLUS Drives. Failure to protect drive components against ESD may damage drive components. Refer to Electrostatic Discharge Precautions at the beginning of this chapter.

IMPORTANT: Before you remove connections and wires from the drive components, mark the connections and wires to correspond with their component connections and terminals to prevent incorrect wiring during assembly.

1. Remove power from the drive.
2. Remove the Enclosure cover if the drive has an enclosure. Refer to Removing the Drive Enclosure in this chapter.
3. Check for zero volts at TB1 terminals +DC and –DC.
4. Check for the absence of control voltage.
5. Disconnect the following from the Main Control Board:
 - J2 ribbon cable
 - J1 connector
 - J10 ground wire at the stake-on connector
 - J6 connector
 - J8 connector
 - All wires from the terminals on TB2 and TB3
6. Loosen the two screws near the bottom of the Main Control Board.
7. Pull the Main Control Board out about two inches, then slide it downward to remove the board from the drive.
8. Disconnect the following from the Gate Driver Board:
 - P13 stake-on connector
 - P14 stake-on connector
 - E1 inductor wire
 - E26 inductor wire
 - E25 ground wire
 - J3 connector fan wires
 - All incoming power wires at Terminal Block TB1
9. Remove all screws connecting the Gate Driver Board to the power components.

Installation

Install the Gate Driver/Power Supply Board in reverse order of removal. Refer to Table 3.A – Fastener Torque Specifications.



ATTENTION: Replace all guards before applying power to the drive. Failure to replace guards may result in death or serious injury.

Removing the Gate Driver/Power Supply Board (Series C and D)

Figure 3.8
DC Bus Inductor and Gate Driver/Power Supply Board,
A010, A015, B020 – B030, and C020 Drives

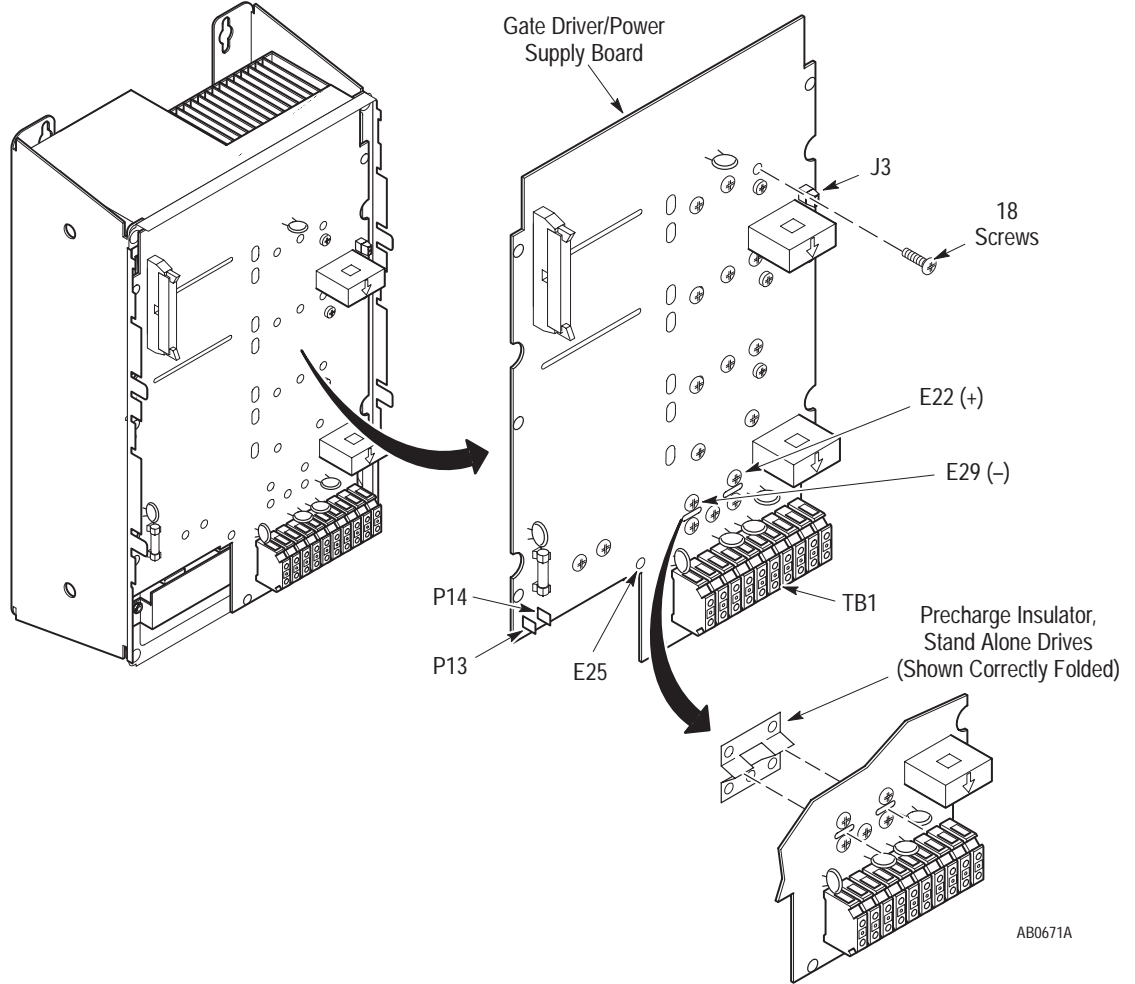
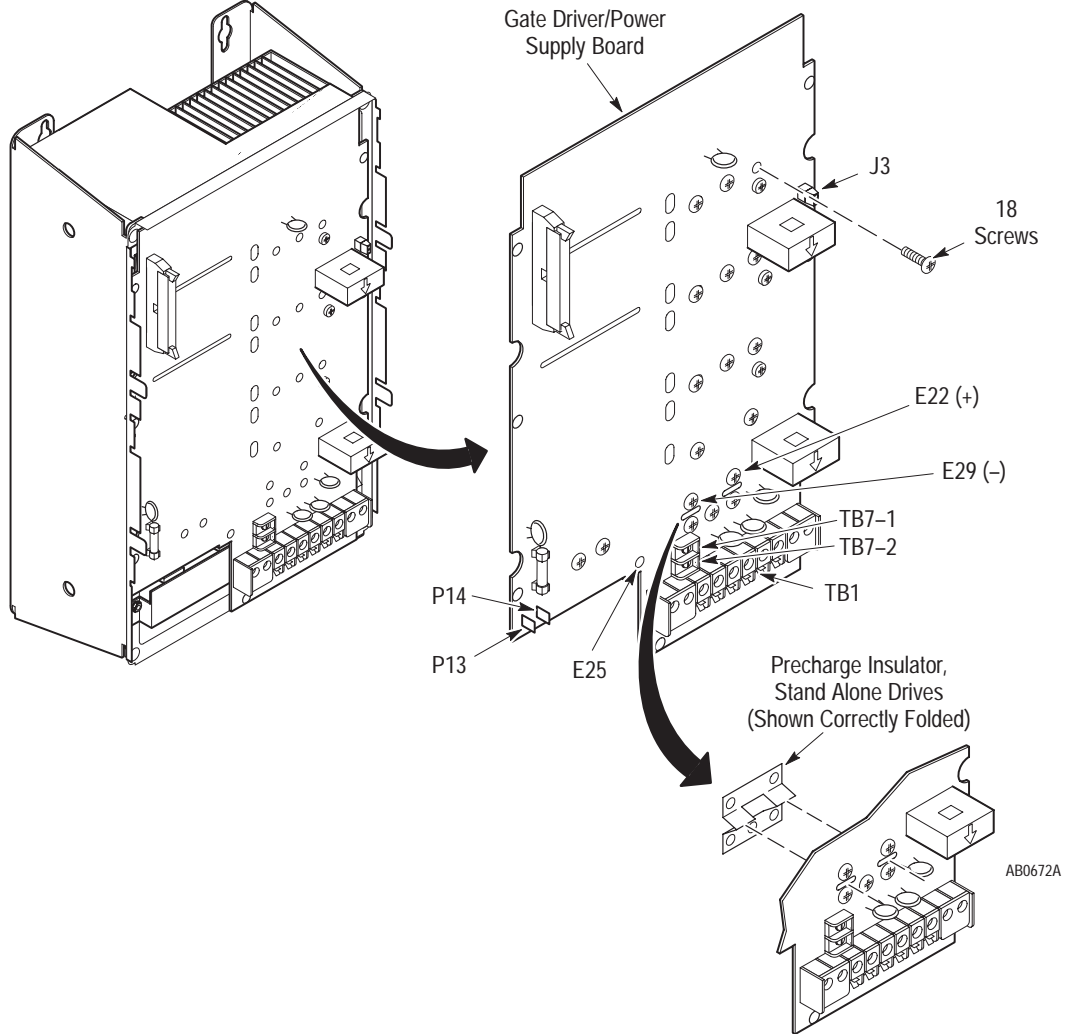


Figure 3.9
DC Bus Inductor and Gate Driver/Power Supply Board,
A007, B007 – B015, and C007 – C015 Drives



Removal



ATTENTION: Disconnect and lock out power from the drive before disassembling the drive. Failure to disconnect power may result in death or serious injury. Verify bus voltage by measuring the voltage between +DC and –DC on Terminal Block TB1. Do not attempt to service the drive until the bus voltage has discharged to zero volts.



ATTENTION: Wear a wrist-type grounding strap when servicing 1336 PLUS Drives. Failure to protect drive components against ESD may damage drive components. Refer to Electrostatic Discharge Precautions at the beginning of this chapter.

IMPORTANT: Before you remove connections and wires from the drive components, mark the connections and wires to correspond with their component connections and terminals to prevent incorrect wiring during assembly.

1. Remove power from the drive.
2. Remove the Enclosure cover if the drive has an enclosure. Refer to Removing the Drive Enclosure in this chapter.
3. Check for zero volts at TB1 terminals +DC and –DC.
4. Check for absence of control voltage.
5. Disconnect the following from the Main Control Board:
 - J2 ribbon cable
 - J1 connector
 - J10 ground wire at the stake-on connector
 - J6 connector
 - J8 connector
 - All wires from the terminals on TB2 and TB3
6. Loosen the two screws fastening the bottom of the Main Control Board Mounting Plate to the drive.
7. Pull the Main Control Board Mounting Plate out about two inches, then slide it downward to remove the board from the drive.

8. Disconnect the following from the Gate Driver/Power Supply Board:
 - P13 stake-on connector
 - P14 stake-on connector
 - E29 – DC Bus Inductor wire
 - E22 + DC Bus Inductor wire
 - DC Bus Inductor wires from TB7
 - E25 ground wire
 - J3 fan wires
 - All incoming power wires at TB1
9. Remove all screws connecting the Gate Driver/Power Supply Board to the power components.

Installation

Install the Gate Driver/Power Supply Board in reverse order of removal. Refer to Chapter 3 – Disassembly and Access Procedures, Table 3.A – Fastener Torque Specifications.

IMPORTANT: Before positioning the Gate Driver/Power Supply Board in the drive, fold and install the Precharge Insulator through the back of the Gate Driver/Power Supply Board. Refer to Figure 3.8 and Figure 3.9.



ATTENTION: Replace all guards before applying power to the drive. Failure to replace guards may result in death or serious injury.

Accessing Chassis Power Components

To access the power components located on the chassis, refer to Removing the Gate Driver/Power Supply Board in this chapter.

This Page Intentionally Left Blank

Component Test Procedures

Chapter Objectives

The following tests help you troubleshoot drives rated A007 – A015, B007 – B030, and C007 – C020.

Component Test Overview

In some cases, different tests troubleshoot components of the same name. These similar tests vary according to the rating of the drive being tested. Verify that the rating on the drive matches the rating for the test you are performing.

The procedures in this chapter assume that the drive you are servicing either has no enclosure or that the enclosure is removed from the drive. For more information on removing the Drive Enclosure, refer to Chapter 3 – Disassembly and Access Procedures, Removing the Drive Enclosure.



ATTENTION: Some printed circuit boards and drive components may contain hazardous voltage levels. Remove and lock out power before you disconnect or reconnect wires, and before you remove or replace fuses and circuit boards. Verify bus voltage by measuring the voltage between +DC and – DC on Terminal Block TB1. Do not attempt to service the drive until the bus voltage has discharged to zero volts.



ATTENTION: Servicing energized industrial control equipment can be hazardous. Electrical shock, burns, or unintentional actuation of controlled industrial equipment may cause death or serious injury. Follow the safety-related practices of NFPA 70E, Electrical Safety for Employee Workplaces, when working on or near energized equipment. Do not work alone on energized equipment.

Electrostatic Discharge Precautions



ATTENTION: This assembly contains parts and sub-assemblies that are sensitive to electrostatic discharge. Static control precautions are required when servicing this assembly. Component damage may result if you ignore electrostatic discharge control procedures. If you are not familiar with static control procedures, reference Allen-Bradley Publication 8000-4.5.2, Guarding Against Electrostatic Discharge, or any other applicable ESD protection handbook.

Electrostatic discharge generated by static electricity can damage the complimentary metallic oxide semiconductor devices on various drive boards. It is recommended that you perform these procedures to guard against this type of damage when circuit boards are removed or installed:

- Wear a wrist type grounding strap that is grounded to the chassis.
- Attach the wrist-strap before removing the new circuit board from the conductive packet.
- Remove boards from the drive and immediately insert them into their conductive packets.

Tools

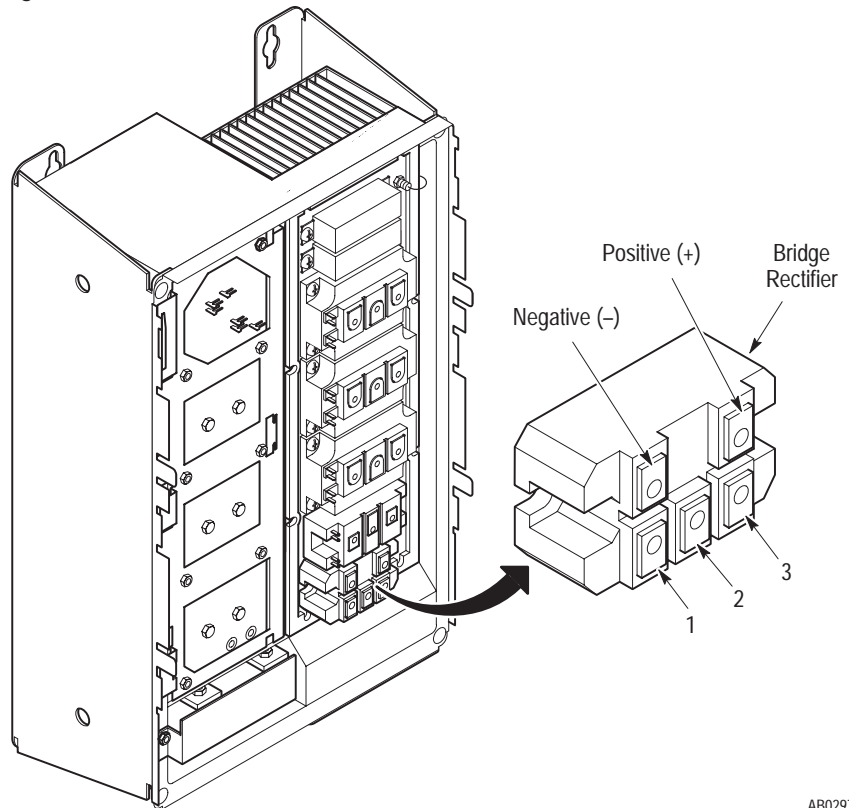
You need the following tools to disassemble and assemble the drive:

- Pliers
- #2 Phillips screwdriver
- 5/16-inch or 8mm socket
- Torque wrench, metered in lb-in. or N-m

Test 1
Testing Bridge Rectifier
BR1

Bridge Rectifier BR1 is located on the bottom right of the heat sink.

Figure 4.1
Bridge Rectifier Test



AB0297A



ATTENTION: Disconnect and lock out power from the drive before disassembling the drive. Failure to disconnect power may result in death or serious injury. Verify bus voltage by measuring the voltage between +DC and -DC on Terminal Block TB1. Do not attempt to service the drive until the bus voltage has discharged to zero volts.

IMPORTANT: Before you remove connections and wires from the drive components, mark the connections and wires to correspond with their component connections and terminals to prevent incorrect wiring during assembly.

1. Remove power from the drive.
2. Check for zero volts at TB1 terminals +DC and -DC.
3. Check for the absence of control voltage.

4. Remove the Gate Driver Board. Refer to Chapter 3 – Removing the Gate Driver/Power Supply Board for your drive Series A, B, C, or D.
5. Set your meter to test diodes.
6. The following table shows meter connections and ideal meter readings for those connections. Refer to the former illustration for meter connection locations.

Table 4.A
Bridge Rectifier BR1 Test

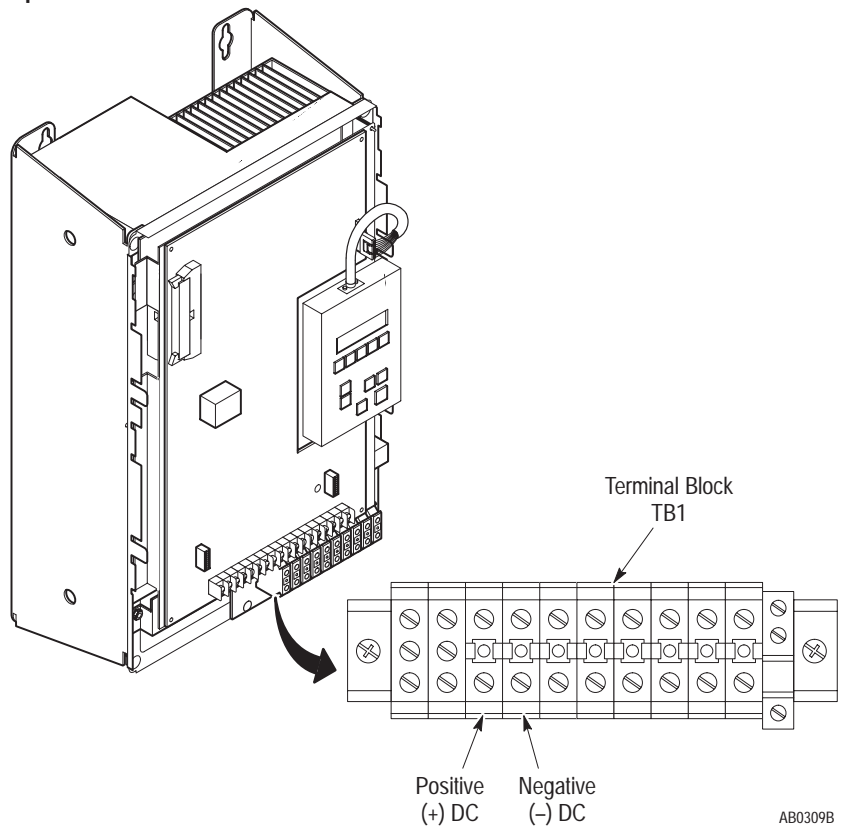
Meter (+) Lead	Meter (-) Lead	Nominal Meter Reading
1	+	0.43
2	+	0.43
3	+	0.43
+	1	Infinite
+	2	Infinite
+	3	Infinite
-	1	0.43
-	2	0.43
-	3	0.43
1	-	Infinite
2	-	Infinite
3	-	Infinite

7. Replace BR1 if any readings are not as shown above.
 - a. Clean all surfaces between the rectifier and the heat sink using a soft, clean cloth.
 - b. Replace the Preform between the rectifier and the chassis.
 - c. Fasten the mounting screws. Refer to Chapter 3 – Disassembly and Access Procedures, Table 3.A – Fastener Torque Specifications.
8. If the rectifier shorted, check:
 - a. Transistor Modules for possible damage.
 - b. MOV1 for an open/shorted condition.
8. Replace and secure the Gate Driver Board and Main Control Board.

Test 2 Testing the Bus Capacitors

The Bus Capacitors are located on the left side of the Main Chassis.

Figure 4.2
Bus Capacitor Test



ATTENTION: Disconnect and lock out power from the drive before disassembling the drive. Failure to disconnect power may result in death or serious injury. Verify bus voltage by measuring the voltage between +DC and -DC on Terminal Block TB1. Do not attempt to service the drive until the bus voltage has discharged to zero volts.

IMPORTANT: Before you remove connections and wires from the drive components, mark the connections and wires to correspond with their component connections and terminals to prevent incorrect wiring during assembly.

1. Remove power from the drive.
2. Check for zero volts at TB1 terminals +DC and –DC.
3. Check for the absence of control voltage.
4. Set your meter to test voltage.
5. Connect the negative lead of your meter to the (–) DC Bus terminal on TB1 and the positive lead to the (+) DC Bus terminal. Refer to the former illustration for TB1 terminal locations.



ATTENTION: Servicing energized industrial control equipment can be hazardous. Electrical shock, burns, or unintentional actuation of controlled industrial equipment may cause death or serious injury. Follow the safety-related practices of NFPA 70E, Electrical Safety for Employee Workplaces, when working on or near energized equipment. Do not work alone on energized equipment.

6. Apply power **AFTER** the meter is connected, otherwise your meter will read zero volts. Expand readings for all input voltage ratings.

Table 4.B
Bus Capacitor Group Test

Drive Rating	Input Volts	Meter Reading
A	200	280V DC +/-10%
	230	322V DC +/-10%
	240	336V DC +/-10%
B	380	535V DC +/-10%
	415	580V DC +/-10%
	480	650V DC +/-10%
C	500	700V DC +/-10%
	575	800V DC +/-10%
	600	850V DC +/-10%

7. If the voltage is out of tolerance, check the following:
 - An open condition at Bridge Rectifier BR1.
 - A voltage drop due to Inductor L1 resistance.
 - A voltage drop between Bridge Rectifier BR1 and the bus capacitors due to loose or resistive wires or connections.
 - Precharge Circuit problems.
8. If the above check did not reveal a problem, replace the capacitors and balancing resistors. The balancing resistors are located on the top right of the heat sink.
9. Fasten the nuts on the capacitor assembly. Refer to Chapter 3 – Disassembly and Access Procedures, Table 3.A – Fastener Torque Specifications.

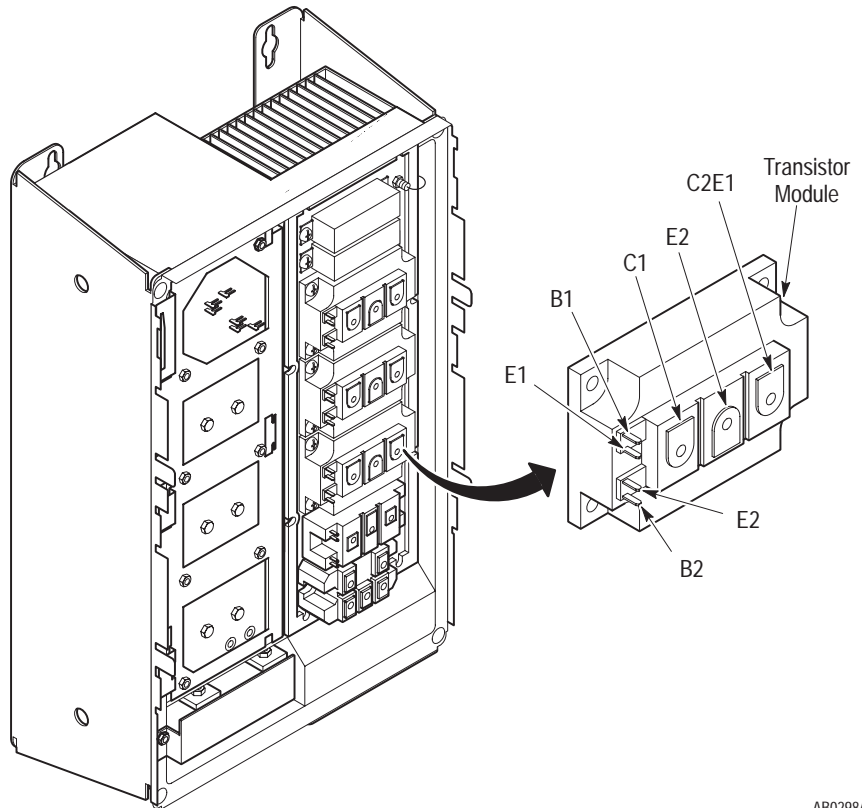


ATTENTION: Replace all guards before applying power to the drive. Failure to replace guards may result in death or serious injury.

Test 3 Testing Transistor Modules Q1, Q2, and Q3

Transistor Modules Q1, Q2, and Q3 are located near the center of the heat sink.

Figure 4.3
Transistor Module Test



AB0298A



ATTENTION: Disconnect and lock out power from the drive before disassembling the drive. Failure to disconnect power may result in death or serious injury. Verify bus voltage by measuring the voltage between +DC and -DC on Terminal Block TB1. Do not attempt to service the drive until the bus voltage has discharged to zero volts.

IMPORTANT: Before you remove connections and wires from the drive components, mark the connections and wires to correspond with their component connections and terminals to prevent incorrect wiring during assembly.

1. Remove power from the drive.
2. Check for zero volts at TB1 terminals +DC and -DC before proceeding.
3. Check for absence of control voltage.

4. Remove the Gate Driver Board. Refer to Chapter 3 – Removing the Gate Driver/Power Supply Board for your drive Series A, B, C or D.
5. Set your meter to test diodes.
6. The following tables show meter connections and ideal meter readings for those connections. Refer to the former illustration for meter connection locations.

Table 4.C
A007 – A015, B007 – B015, and C007 – C015 Q1, Q2, and Q3 Test

Meter (+) Lead	Meter (-) Lead	Nominal Meter Reading
C2E1	E2	Infinite
E2	C2E1	0.36
C1	C2E1	Infinite
C2E1	C1	0.36
B1	E1	Infinite
B2	E2	Infinite

Table 4.D
B020 – B030 and C020 Q1, Q2, and Q3 Test

Meter (+) Lead	Meter (-) Lead	Nominal Meter Reading	Maximum Meter Reading
C2E1	E2	Infinite/O.L.	–
E2	C2E1	0.34	0.6
C1	C2E1	Infinite/O.L.	–
C2E1	C1	0.34	0.6
B1	E1	Infinite	Infinite
B2	E2	Infinite	Infinite

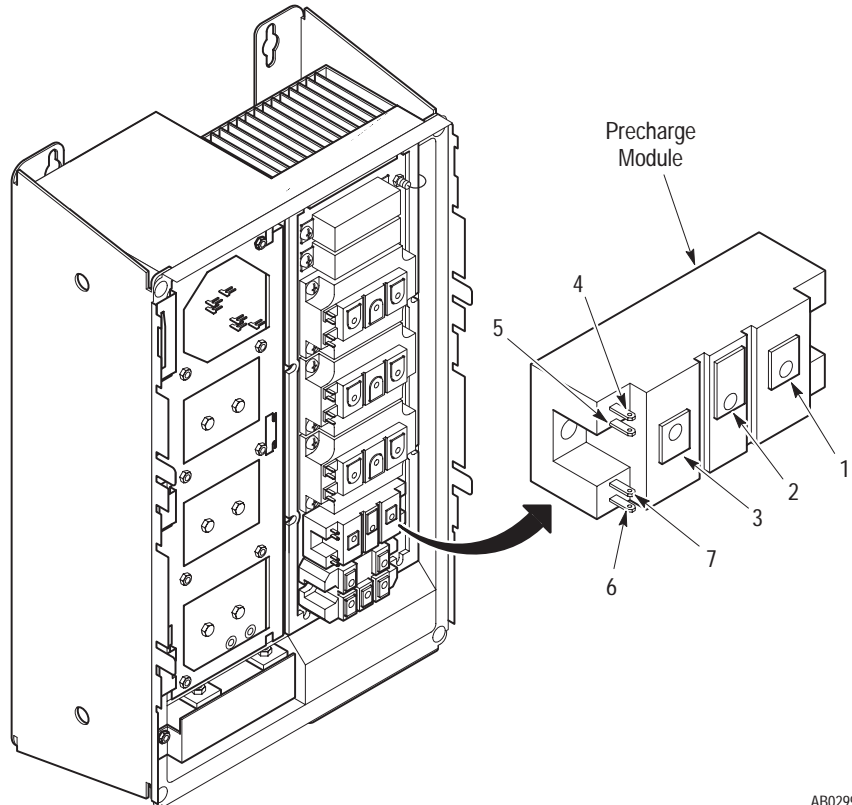
NOTE: Typical malfunction is shorted in both directions.

7. If your readings do not match the table readings, replace Transistor Module Q1, Q2, or Q3.
 - a. Clean all surfaces between the transistor and the heat sink using a soft, clean cloth.
 - b. Replace the Preform between the transistor and the heat sink.
 - c. Fasten all screws. Refer to Chapter 3 – Disassembly and Access Procedures, Table 3.A – Fastener Torque Specifications.
8. If a Transistor Module is replaced, replace the Precharge Module. Refer to Test 4 – Testing the Precharge Module for your drive Series A, B, C, or D. You must also test the Gate Driver Board. Refer to Test 5 – Testing the Gate Driver Board for your drive Series A, B, C, or D.
9. Replace and secure the Gate Driver Board and Main Control Board.

Test 4 Testing the Precharge Module (Series A and B)

The Precharge Module is located near the bottom of the heat sink. If one or more Transistor Modules has been replaced, you must replace the Precharge Module.

Figure 4.4
Precharge Module Test (Series A and B)



AB0299A



ATTENTION: Disconnect and lock out power from the drive before disassembling the drive. Failure to disconnect power may result in death or serious injury. Verify bus voltage by measuring the voltage between +DC and -DC on Terminal Block TB1. Do not attempt to service the drive until the bus voltage has discharged to zero volts.

IMPORTANT: Before you remove connections and wires from the drive components, mark the connections and wires to correspond with their component connections and terminals to prevent incorrect wiring during assembly.

1. Remove power from the drive.
2. Check for zero volts at TB1 terminals +DC and -DC before proceeding.
3. Check for absence of control voltage.

4. Remove the Gate Driver Board. Refer to Chapter 3 – Removing the Gate Driver/Power Supply Board (Series A, B).
5. Set your meter to test diodes.
6. Test the module. The following table shows meter connections at the module and ideal meter readings for those connections. Refer to the former illustration for meter connection locations.

Table 4.E
Precharge Module Test

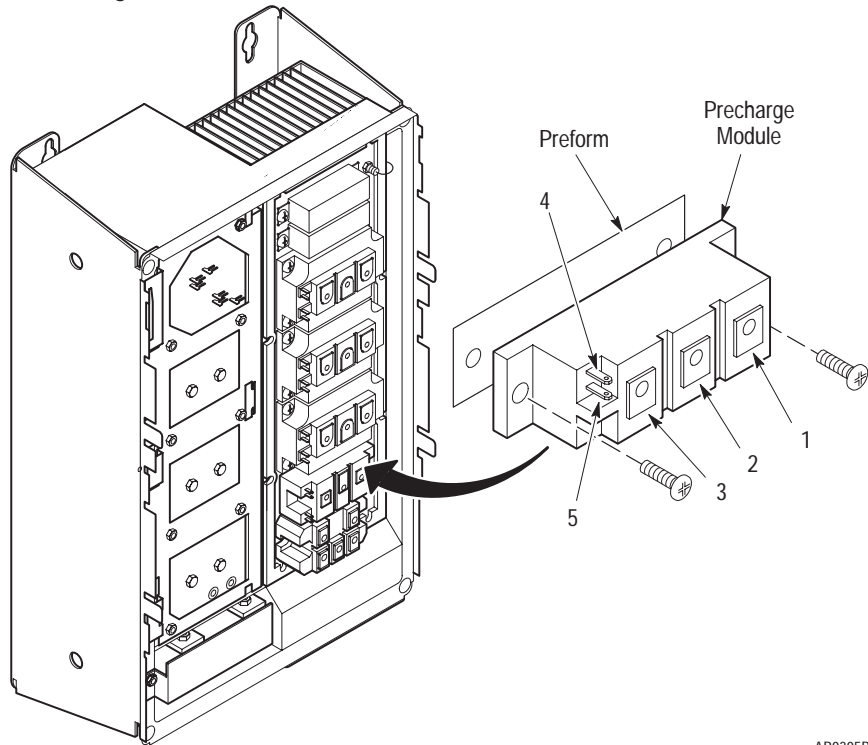
Meter (+) Lead	Meter (-) Lead	Nominal Meter Reading
1	3	0.35
3	1	Infinite
4	5	Infinite
5	4	Infinite

7. If your readings do not match the table readings, replace the Precharge Module.
 - a. Clean all surfaces between Precharge Module and the heat sink using a soft, clean cloth.
 - b. Replace the Preform between the module and the Main Chassis.
 - c. Install all the screws. Refer to Chapter 3 – Disassembly and Access Procedures, Table 3.A – Fastener Torque Specifications.
8. Replace and secure the Gate Driver Board and Main Control Board.

Test 5 Testing the Precharge Module (Series C and D)

The Precharge Module is located near the bottom of the heat sink. If one or more Transistor Modules has been replaced, you must replace the Precharge Module.

Figure 4.5
Precharge Module Test (Series C and D)



AB0305B



ATTENTION: Disconnect and lock out power from the drive before disassembling the drive. Failure to disconnect power may result in death or serious injury. Verify bus voltage by measuring the voltage between +DC and -DC on Terminal Block TB1. Do not attempt to service the drive until the bus voltage has discharged to zero volts.

IMPORTANT: Before you remove connections and wires from the drive components, mark the connections and wires to correspond with their component connections and terminals to prevent incorrect wiring during assembly.

1. Remove power from the drive.
2. Remove the Enclosure cover if the drive has an enclosure. Refer to Chapter 3 – Disassembly and Access Procedures, Removing the Drive Enclosure.

3. Check for zero volts at TB1 Terminals +DC and –DC before proceeding.
4. Check for absence of control voltage.
5. Remove the Gate Driver/Power Supply Board. Refer to Chapter 3 – Removing the Gate Driver/Power Supply Board (Series C and D).
6. Set your meter to test diodes.
7. Test the module. The following table shows meter connections at the module and ideal meter readings for those connections. Refer to Figure 4.5 for meter connection locations.

Table 4.F
Precharge Module Diode Test

Meter (+) Lead	Meter (-) Lead	Nominal Meter Reading
1	3	Infinite
3	1	0.44
1	2	Infinite
2	1	Infinite
2	3	Infinite
3	2	Infinite

8. Set your meter to test resistance.
9. Test the module. The following table shows meter connections at the module and ideal meter readings for those connections. Refer to Figure 4.5 for meter connection locations.

Table 4.G
Precharge Module Resistance Test

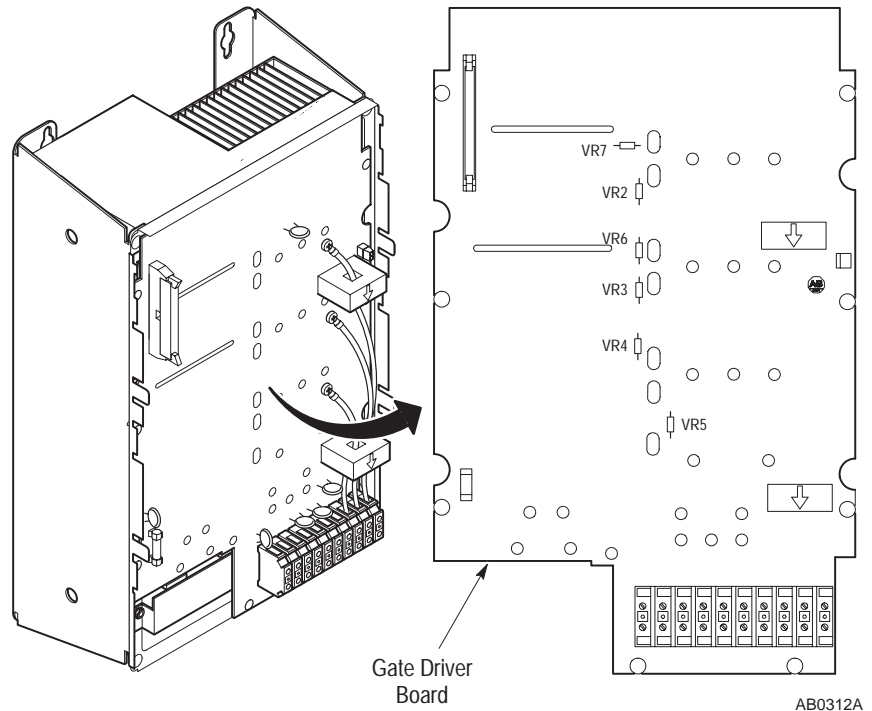
Meter (+) Lead	Meter (-) Lead	Nominal Meter Reading
5	4	15
4	5	15
5	3	≈ 23M
5	2	0.00
2	5	0.00
4	2	15
5	1	≈ 10M
4	3	≈ 23M
4	1	≈ 10M

10. If your readings do not match the table readings, replace the Precharge Module.
 - a. Clean the surfaces between the Precharge Module and the heat sink using a soft, clean cloth.
 - b. Replace the Preform between the Precharge Module and the heat sink.
 - c. Fasten the Precharge Module to the heat sink using two screws. Refer to Chapter 3 – Disassembly and Access Procedures, Table 3.A – Fastener Torque Specifications.
 - d. Install the Gate Driver/Power Supply Board in reverse order of removal.

Test 6 Testing the Gate Driver Board

The Gate Driver Board is located between the Main Control Board and the Main Chassis. If one or more Transistor Modules Q1, Q2, or Q3 has been replaced, you must test the Gate Driver Board.

Figure 4.6
Gate Driver Board Test



ATTENTION: Disconnect and lock out power from the drive before disassembling the drive. Failure to disconnect power may result in death or serious injury. Verify bus voltage by measuring the voltage between +DC and –DC on Terminal Block TB1. Do not attempt to service the drive until the bus voltage has discharged to zero volts.

IMPORTANT: Before you remove connections and wires from the drive components, mark the connections and wires to correspond with their component connections and terminals to prevent incorrect wiring during assembly.

1. Remove power from the drive.
2. Check for zero volts at TB1 terminals +DC and –DC before proceeding.
3. Check for the absence of control voltage.
4. Remove the Main Control Board and Mounting Plate. Refer to Chapter 3 – Removing the Main Control Board Mounting Plate.

5. Unplug the connectors from the Gate Driver Board.
6. Set your meter to test resistance.
7. Check Fuse F1, located on the lower left side of the Gate Driver Board, for continuity. Replace the fuse if it shows an open condition.
8. Set your meter to test diodes.
9. Test VR2 through VR7. The following table shows meter connections at the components and ideal meter readings for those connections. Refer to the former illustration for meter connection locations.

Table 4.H
Gate Driver Board Test

Component	Meter (+) Lead	Meter (-) Lead	Nominal Meter Reading
VR2	+	-	1.2
	-	+	2.5
VR3	+	-	1.2
	-	+	2.5
VR4	+	-	1.2
	-	+	2.5
VR5	+	-	1.2
	-	+	2.5
VR6	+	-	1.2
	-	+	2.5
VR7	+	-	1.2
	-	+	2.5

NOTE: Typical malfunction is shorted in both directions.

10. If your readings do not match the table readings, replace the Gate Driver Board.

Part Replacement Procedures

Chapter Objective

This chapter describes procedures required to replace drive components. This chapter references Chapter 3 – Disassembly and Access Procedures for basic drive component access.

Part Replacement Overview

The part replacement procedures in this chapter assume that the drive you are servicing either has no enclosure or that the enclosure is removed from the drive. For more information on removing the Drive Enclosure, refer to Chapter 3 – Disassembly and Access Procedures, Removing the Drive Enclosure.

Safety Precautions



ATTENTION: Some printed circuit boards and drive components may contain hazardous voltage levels. Remove power before you disconnect or reconnect wires, and before you remove or replace fuses and circuit boards. Verify bus voltage by measuring the voltage between +DC and –DC on Terminal Block TB1. Do not attempt to service the drive until the bus voltage has discharged to zero volts.

Electrostatic Discharge Precautions



ATTENTION: This assembly contains parts and sub-assemblies that are sensitive to electrostatic discharge. Static control precautions are required when servicing this assembly. Component damage may result if you ignore electrostatic discharge control procedures. If you are not familiar with static control procedures, reference Allen-Bradley Publication 8000-4.5.2, Guarding Against Electrostatic Discharge, or any other applicable ESD protection handbook.

Electrostatic discharge generated by static electricity can damage the complimentary metallic oxide semiconductor devices on various drive boards. It is recommended that you perform these procedures to guard against this type of damage when circuit boards are removed or installed:

- Wear a wrist type grounding strap that is grounded to the chassis.
- Attach the wrist strap before removing the new circuit board from the conductive packet.
- Remove boards from the drive and immediately insert them into their conductive packets.

Tools

You need the following tools to disassemble and assemble the drive:

- Pliers
- #2 Phillips screwdriver
- 5/16-inch or 8mm socket
- Torque wrench, metered in lb-in. or N-m

Major Component Replacement

This section explains in detail how to replace the following drive components:

- Precharge Module
- Thermistor
- Transistor Modules
- Bridge Rectifier BR1
- Fan
- DC Bus Inductor
- Bus Capacitors

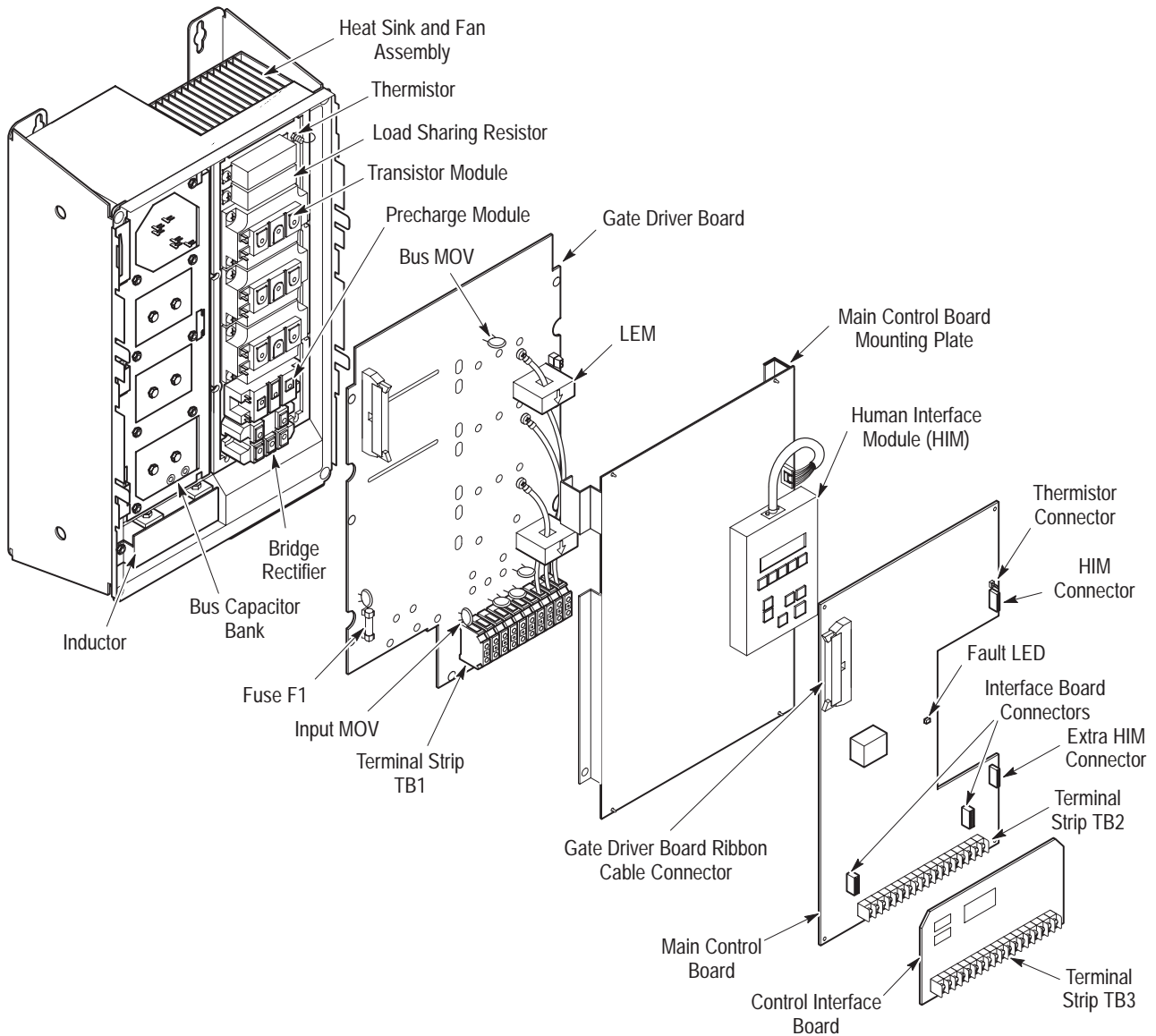
For Gate Driver/Power Supply Board for your drive Series A, B, C, or D Main Control Board, and Control Interface Board installation and removal procedures, refer to Chapter 3.

Detailed Product Identification

Allen-Bradley Adjustable Frequency AC Drives are modular by design to enhance troubleshooting and spare parts replacement, thereby helping reduce production down-time.

The following illustration calls out the main components of a typical drive. Component designs vary slightly among the different drive ratings, but component locations are identical.

Figure 5.1
Main Drive Components

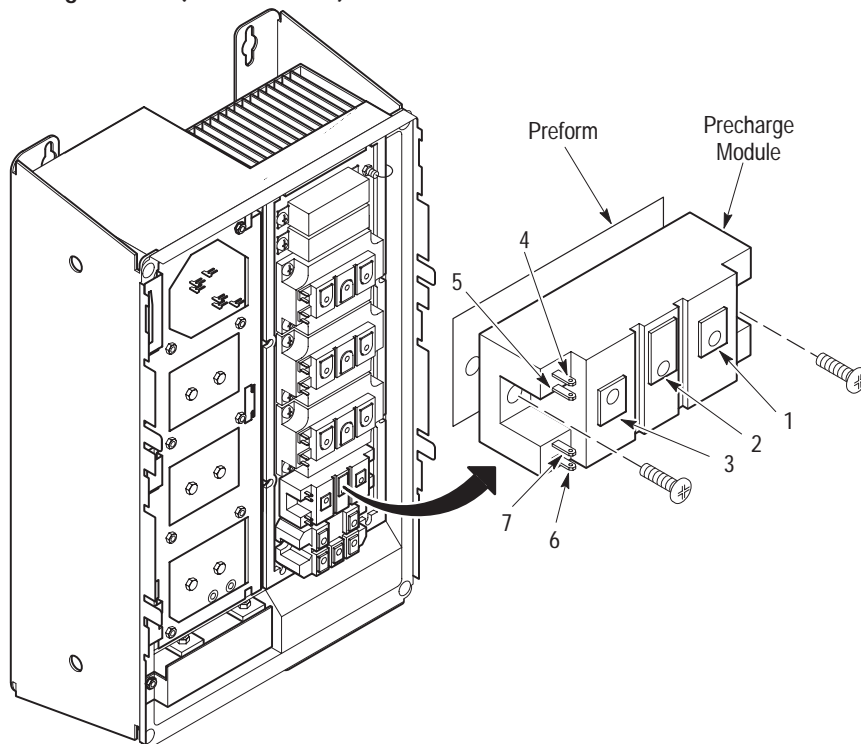


AB0308B

Precharge Module (Series A and B)

The Precharge Module is located behind the Gate Driver Board, to the right of the Bus Capacitor assembly.

Figure 5.2
Precharge Module (Series A and B)



AB0305A

Removal



ATTENTION: Disconnect and lock out power from the drive before disassembling the drive. Failure to disconnect power may result in death or serious injury. Verify bus voltage by measuring the voltage between +DC and -DC on Terminal Block TB1. Do not attempt to service the drive until the bus voltage has discharged to zero volts.



ATTENTION: Wear a wrist-type grounding strap when servicing 1336 PLUS Drives. Failure to protect drive components against ESD may damage drive components. Refer to Electrostatic Discharge Precautions at the beginning of this chapter.

IMPORTANT: Before you remove connections and wires from the drive components, mark the connections and wires to correspond with their component connections and terminals to prevent incorrect wiring during assembly.

1. Remove power from the drive.
2. Check for zero volts at TB1 Terminals +DC and –DC.
3. Check for the absence of control voltage.
4. Remove the Gate Driver/Power Supply Board from the drive. Refer to Chapter 3 – Removing the Gate Driver/Power Supply Board.
5. Remove the two round-head screws fastening the Precharge Module to the heat sink.
6. Remove the Precharge Module from the drive.

Installation

1. Clean the surfaces between the Precharge Module and the heat sink using a soft, clean cloth.
2. Replace the Preform between the Precharge Module and the heat sink.
3. Install the Precharge Module in reverse order of removal.
4. Fasten the mounting screws. Refer to Chapter 3 – Disassembly and Access Procedures, Table 3.A – Fastener Torque Specifications.
5. Fasten the terminal screws. Refer to Chapter 3 – Disassembly and Access Procedures, Table 3.A – Fastener Torque Specifications.

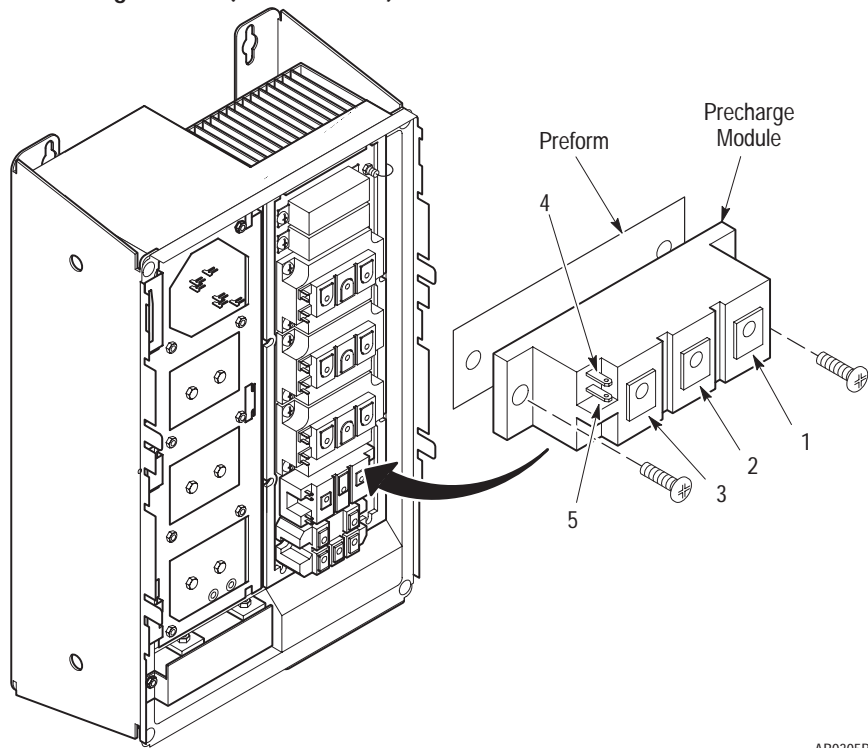


ATTENTION: Replace all guards before applying power to the drive. Failure to replace guards may result in death or serious injury.

Precharge Module (Series C and D)

The Precharge Module is located near the bottom of the heat sink. If one or more Transistor Modules has been replaced, you must replace the Precharge Module.

Figure 5.3
Precharge Module (Series C and D)



AB0305B

Removal



ATTENTION: Disconnect and lock out power from the drive before disassembling the drive. Failure to disconnect power may result in death or serious injury. Verify bus voltage by measuring the voltage between +DC and -DC on Terminal Block TB1. Do not attempt to service the drive until the bus voltage had discharged to zero volts.



ATTENTION: Wear a wrist-type grounding strap when servicing 1336 PLUS Drives. Failure to protect drive components against ESD may damage drive components. For Electrostatic Discharge Precautions, refer to Chapter 3 – Disassembly and Access Procedures.

IMPORTANT: Before you remove connections and wires from the drive components, mark the connections and wires to correspond with their component connections and terminals to prevent incorrect wiring during assembly.

1. Remove power from the drive.
2. Remove the Enclosure cover if the drive has an enclosure. Refer to Chapter 3 – Disassembly and Access Procedures, Removing the Drive Enclosure.
3. Check for zero volts at TB1 Terminals +DC and –DC before proceeding.
4. Check for absence of control voltage.
5. Remove the Gate Driver/Power Supply Board. Refer to Chapter 3 – Disassembly and Access Procedures, Removing the Gate Driver/Power Supply Board.
6. Remove the two round-head screws fastening the Precharge Module to the heat sink.
7. Remove the Precharge Module from the drive.

Installation

1. Clean surfaces between the Precharge Module and the heat sink.
2. Replace the Preform between the Precharge Module and the heat sink.
3. Install the Precharge Module in reverse order of removal. Refer to Chapter 3 – Disassembly and Access Procedures, Table 3.A – Fastener Torque Specifications.

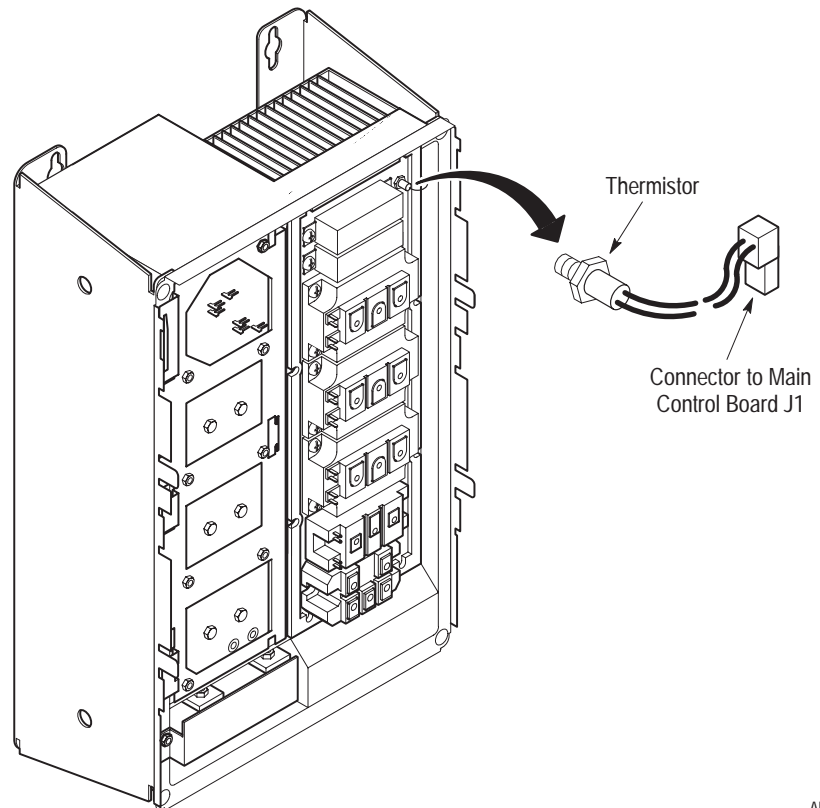


ATTENTION: Replace all guards before applying power to the drive. Failure to replace guards may result in death or serious injury.

Thermistor

The Thermistor is fastened to the upper right corner of the heat sink.

Figure 5.4
Thermistor



AB0306A

Removal



ATTENTION: Disconnect and lock out power from the drive before disassembling the drive. Failure to disconnect power may result in death or serious injury. Verify bus voltage by measuring the voltage between +DC and -DC on Terminal Block TB1. Do not attempt to service the drive until the bus voltage has discharged to zero volts.



ATTENTION: Wear a wrist-type grounding strap when servicing 1336 PLUS Drives. Failure to protect drive components against ESD may damage drive components. Refer to Electrostatic Discharge Precautions at the beginning of this chapter.

1. Remove power from the drive.
2. Remove the Enclosure cover if the drive has an enclosure. Refer to Chapter 3 – Disassembly and Access Procedures, Removing the Drive Enclosure.
3. Check for zero volts at TB1 Terminals +DC and –DC.
4. Check for the absence of control voltage.
5. Remove the Gate Driver/Power Supply Board from the drive. Refer to Chapter 3 – Removing the Gate Driver/Power Supply Board for your drive Series A, B, C, or D before continuing with Step 6.
6. Remove the two wires from the Thermistor stake-on connectors located on the Main Control Board.
7. Unscrew the Thermistor from the heat sink.

Installation

Install the Thermistor in reverse order of removal.

IMPORTANT: When fastening the Thermistor to the heat sink, hand-tighten the Thermistor to avoid damaging the porcelain Thermistor body.

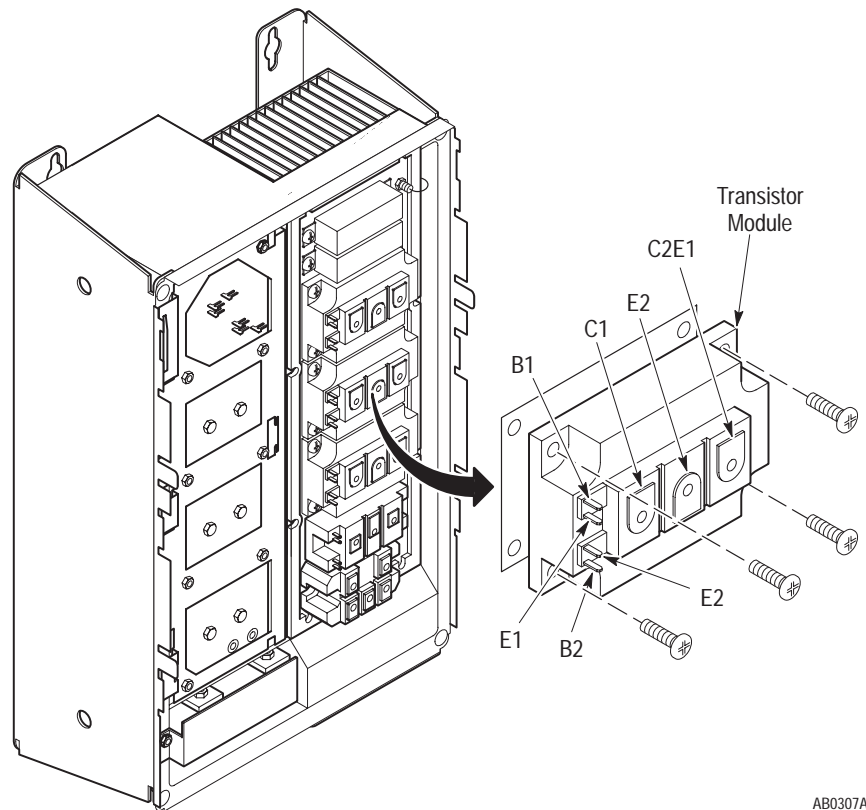


ATTENTION: Replace all guards before applying power to the drive. Failure to replace guards may result in death or serious injury.

Transistor Modules

Transistor Modules Q1, Q2 and Q3 are located on the center of the heat sink.

Figure 5.5
Transistor Modules



AB0307A

Removal



ATTENTION: Disconnect and lock out power from the drive before disassembling the drive. Failure to disconnect power may result in death or serious injury. Verify bus voltage by measuring the voltage between +DC and -DC on Terminal Block TB1. Do not attempt to service the drive until the bus voltage has discharged to zero volts.



ATTENTION: Wear a wrist-type grounding strap when servicing 1336 PLUS Drives. Failure to protect drive components against ESD may damage drive components. Refer to Electrostatic Discharge Precautions at the beginning of this chapter.

IMPORTANT: Before you remove connections and wires from the drive components, mark the connections and wires to correspond with their component connections and terminals to prevent incorrect wiring during assembly.

1. Remove power from the drive.
2. Remove the Enclosure cover if the drive has an enclosure. Refer to Chapter 3 – Disassembly and Access Procedures, Removing the Drive Enclosure.
3. Check for zero volts at TB1 Terminals +DC and –DC.
4. Check for the absence of control voltage.
5. Remove the Gate Driver/Power Supply Board from the drive. Refer to Chapter 3 – Removing the Gate Driver/Power Supply Board for your drive Series A, B, C, or D before continuing with Step 6.
6. Remove all wires connected to the transistor module terminals.
7. Remove the screws fastening the transistor to the heat sink.

Installation

1. Clean all surfaces between the transistor and the heat sink using a soft, clean cloth.
2. Replace the Preform between the transistor and the heat sink.
3. Install the transistor modules in reverse order of removal.
4. Fasten the mounting screws. Refer to Chapter 3 – Disassembly and Access Procedures, Table 3.A – Fastener Torque Specifications.
5. Fasten the terminal screws. Refer to Chapter 3 – Disassembly and Access Procedures, Table 3.A – Fastener Torque Specifications.

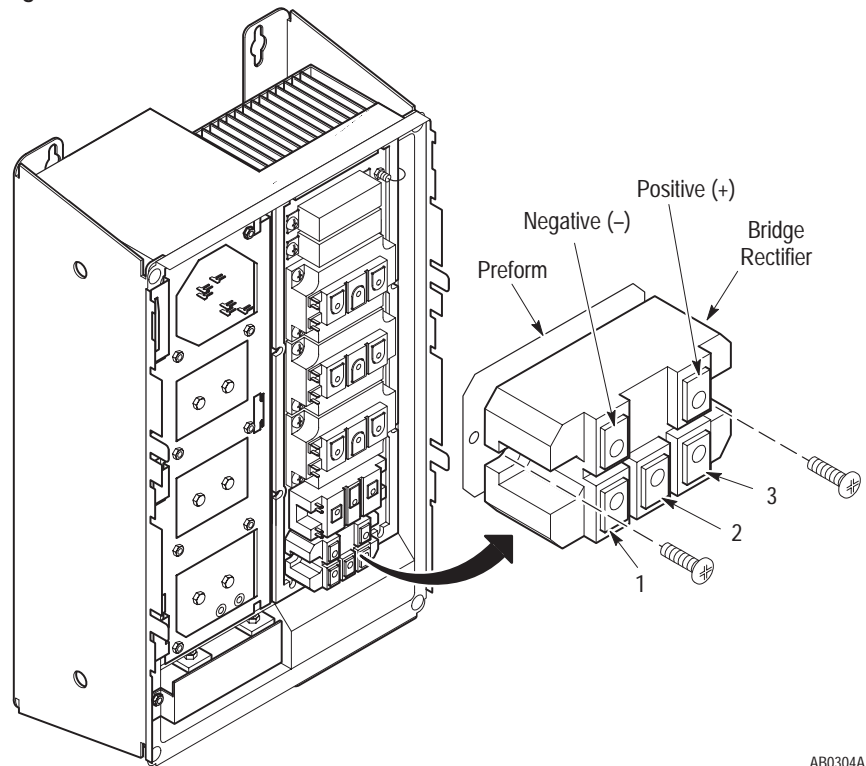


ATTENTION: Replace all guards before applying power to the drive. Failure to replace guards may result in death or serious injury.

Bridge Rectifier BR1

Bridge Rectifier BR1 is located at the bottom of the heat sink.

Figure 5.6
Bridge Rectifier BR1



AB0304A

Removal



ATTENTION: Disconnect and lock out power from the drive before disassembling the drive. Failure to disconnect power may result in death or serious injury. Verify bus voltage by measuring the voltage between +DC and -DC on Terminal Block TB1. Do not attempt to service the drive until the bus voltage has discharged to zero volts.



ATTENTION: Wear a wrist-type grounding strap when servicing 1336 PLUS Drives. Failure to protect drive components against ESD may damage drive components. Refer to Electrostatic Discharge Precautions at the beginning of this chapter.

IMPORTANT: Before you remove connections and wires from the drive components, mark the connections and wires to correspond with their component connections and terminals to prevent incorrect wiring during assembly.

1. Remove power from the drive.
2. Remove the Enclosure cover if the drive has an enclosure. Refer to Chapter 3 – Disassembly and Access Procedures, Removing the Drive Enclosure.
3. Check for zero volts at TB1 Terminals +DC and –DC.
4. Check for the absence of control voltage.
5. Remove the Gate Driver/Power Supply Board from the drive. Refer to Chapter 3 – Removing the Gate Driver/Power Supply Board before continuing with Step 4.
6. Remove the two screws fastening the bridge rectifier to the heat sink.
7. Remove the rectifier from the heat sink.

Installation

1. Clean all surfaces between Bridge Rectifier BR1 and the heat sink using a soft, clean cloth.
2. Replace the Preform between the rectifier and the heat sink.
3. Install the rectifier in reverse order of removal.
4. Fasten the mounting screws. Refer to Chapter 3 – Disassembly and Access Procedures, Table 3.A – Fastener Torque Specifications.
5. Fasten the terminal screws. Refer to Chapter 3 – Disassembly and Access Procedures, Table 3.A – Fastener Torque Specifications.

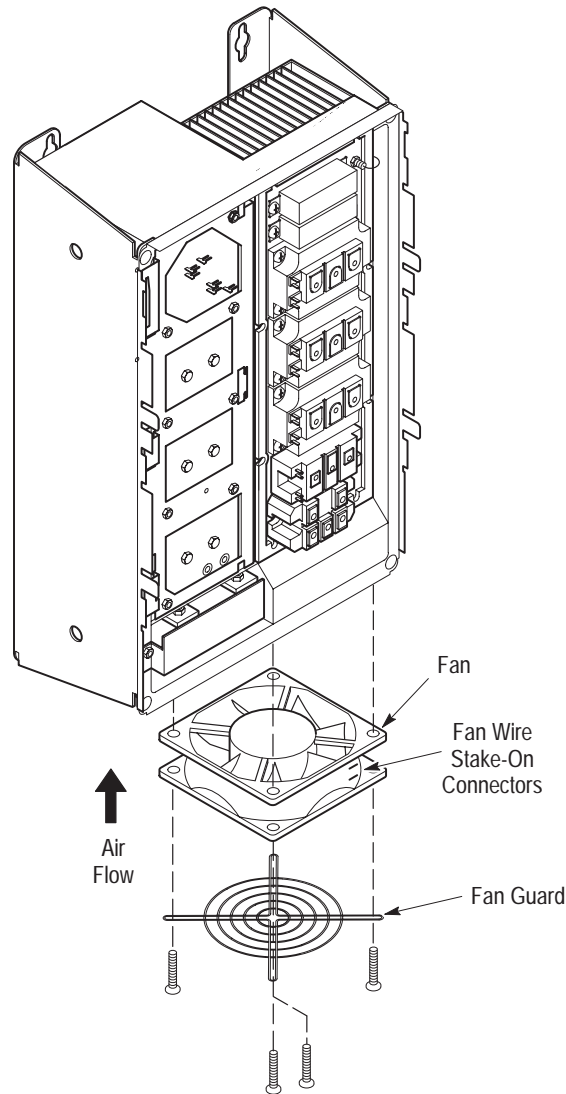


ATTENTION: Replace all guards before applying power to the drive. Failure to replace guards may result in death or serious injury.

Fan

The Fan is located behind and to the bottom of the heat sink.

Figure 5.7
Fan



AB0301A

Removal



ATTENTION: Disconnect and lock out power from the drive before disassembling the drive. Failure to disconnect power may result in death or serious injury. Verify bus voltage by measuring the voltage between +DC and -DC on Terminal Block TB1. Do not attempt to service the drive until the bus voltage has discharged to zero volts.



ATTENTION: Wear a wrist-type grounding strap when servicing 1336 PLUS Drives. Failure to protect drive components against ESD may damage drive components. Refer to Electrostatic Discharge Precautions at the beginning of this chapter.

IMPORTANT: Before you remove connections and wires from the drive components, mark the connections and wires to correspond with their component connections and terminals to prevent incorrect wiring during assembly.

1. Remove power from the drive.
2. Remove the Enclosure cover if the drive has an enclosure. Refer to Chapter 3 – Disassembly and Access Procedures, Removing the Drive Enclosure.
3. Check for zero volts at TB1 Terminals +DC and –DC.
4. Check for the absence of control voltage.
5. Remove the wire connectors from the terminals on the Fan.
6. Remove the four round-head screws fastening the top and bottom of the Fan guard to the heat sink.
7. Pull the Fan guard and Fan away from the heat sink.

Installation

Install the Fan in reverse order of removal.

IMPORTANT: When fastening the Fan to the cover plate, position the air flow arrow, located on the top of the fan near the connectors, so it points to the top of the drive. Position the Fan connectors to the front, away from DC Bus Inductor. Connect the red wire to the positive fan terminal and the black wire to the negative terminal.

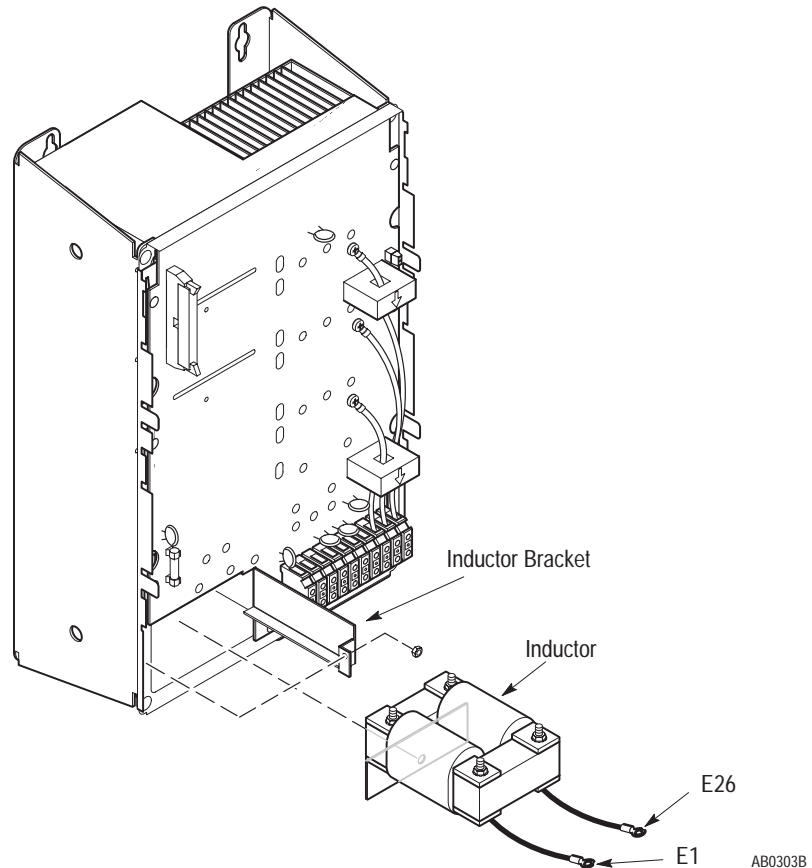


ATTENTION: Replace all guards before applying power to the drive. Failure to replace guards may result in death or serious injury.

DC Bus Inductor (Series A and B)

DC Bus Inductor is located on the lower left-hand corner of the Main Chassis.

Figure 5.8
DC Bus Inductor (Series A and B)



Removal



ATTENTION: Disconnect and lock out power from the drive before disassembling the drive. Failure to disconnect power may result in death or serious injury. Verify bus voltage by measuring the voltage between +DC and -DC on Terminal Block TB1. Do not attempt to service the drive until the bus voltage has discharged to zero volts.



ATTENTION: Wear a wrist-type grounding strap when servicing 1336 PLUS Drives. Failure to protect drive components against ESD may damage drive components. Refer to Electrostatic Discharge Precautions at the beginning of this chapter.

IMPORTANT: Before you remove connections and wires from the drive components, mark the connections and wires to correspond with their component connections and terminals to prevent incorrect wiring during assembly.

1. Remove power from the drive.
2. Remove the Enclosure cover if the drive has an enclosure. Refer to Chapter 3 – Disassembly and Access Procedures, Removing the Drive Enclosure.
3. Check for zero volts at TB1 Terminals +DC and –DC.
4. Check for absence of control voltage.
5. Remove the Main Control Board. Refer to Chapter 3 – Removing the Main Control Board.
6. Remove the inductor wires from Gate Driver Board terminals E1 and E26.
7. Remove the nut fastening the inductor bracket to the chassis.
8. Remove the bracket from DC Bus Inductor.

Installation

1. Lower the inductor into the Main Chassis, aligning the hole in the bottom inductor bracket with the peg on the chassis.
2. Install DC Bus Inductor in reverse order of removal.



ATTENTION: Replace all guards before applying power to the drive. Failure to replace guards may result in death or serious injury.

DC Bus Inductor (Series C and D)

DC Bus Inductor is located on the lower left-hand corner of the Main Chassis.

Figure 5.9
DC Bus Inductor and Gate Driver/Power Supply Board,
A010, A015, B020 – B030, and C020 Drives

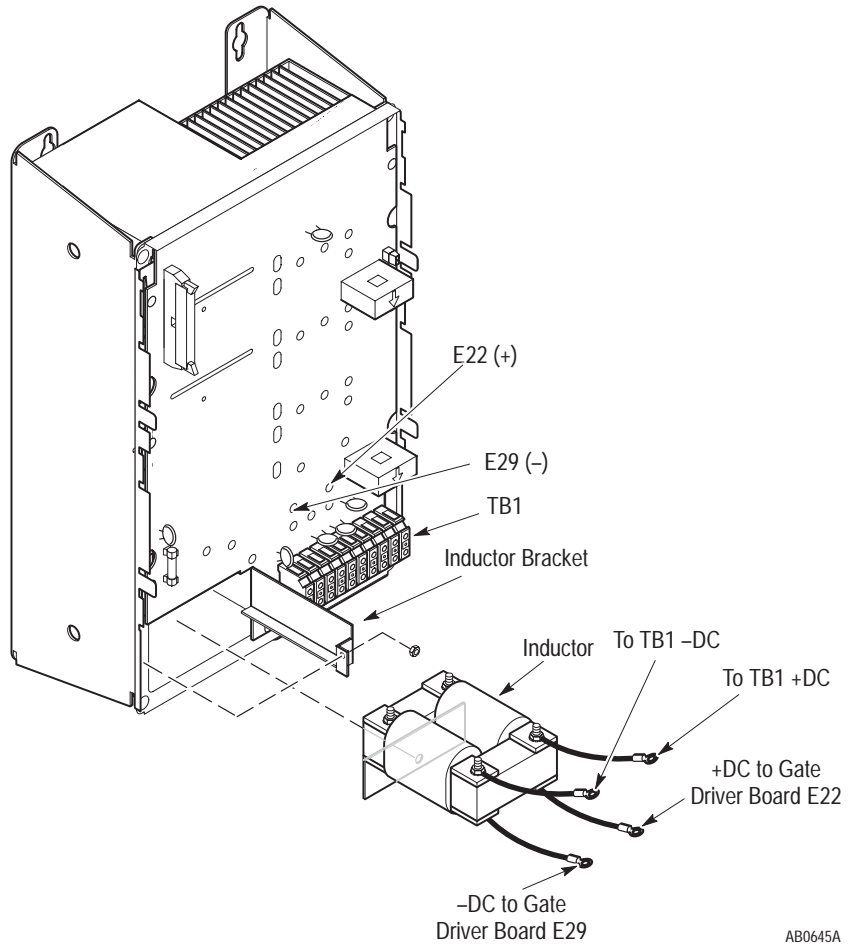
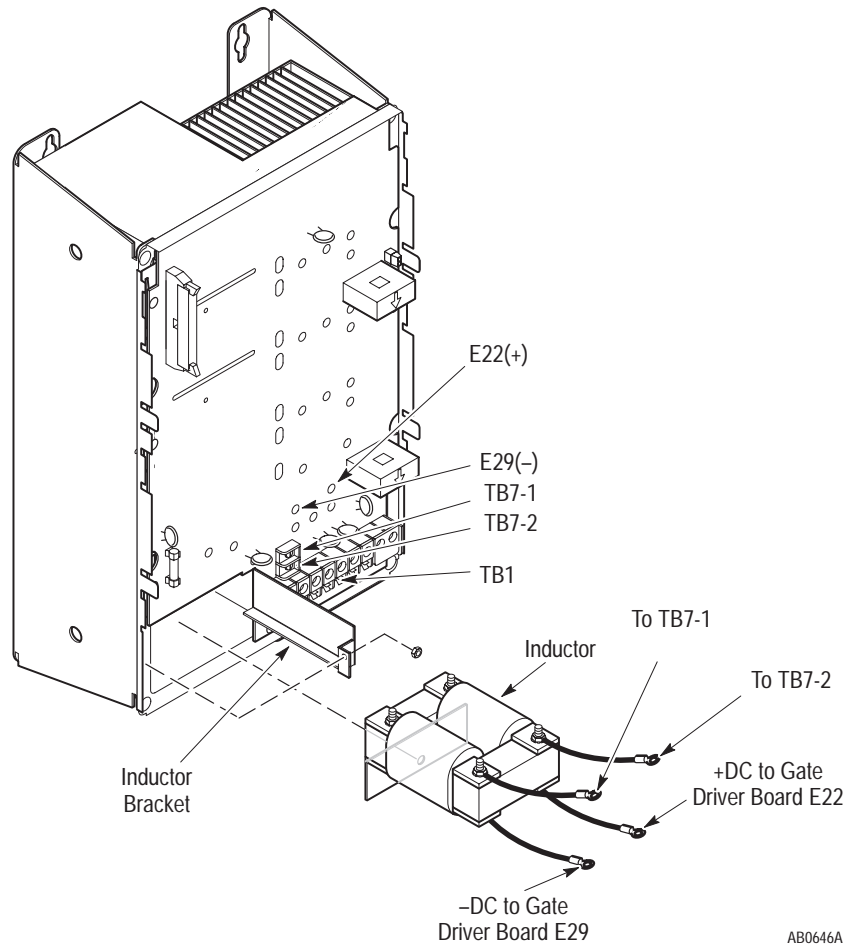


Figure 5.10
DC Bus Inductor and Gate Driver/Power Supply Board,
A007, B007 – B015, and C007 – C015 Drives



Removal



ATTENTION: Disconnect and lock out power from the drive before disassembling the drive. Failure to disconnect power may result in death or serious injury. Verify bus voltage by measuring the voltage between +DC and -DC on Terminal Block TB1. Do not attempt to service the drive until the bus voltage has discharged to zero volts.



ATTENTION: Wear a wrist-type grounding strap when servicing 1336 PLUS Drives. Failure to protect drive components against ESD may damage drive components. Refer to Electrostatic Discharge Precautions at the beginning of this chapter.

IMPORTANT: Before you remove connections and wires from the drive components, mark the connections and wires to correspond with their component connections and terminals to prevent incorrect wiring during assembly.

1. Remove power from the drive.
2. Remove the Enclosure cover if the drive has an enclosure. Refer to Chapter 3 – Disassembly and Access Procedures, Removing the Drive Enclosure.
3. Check for zero volts at TB1 Terminals +DC and –DC before proceeding.
4. Check for absence of control voltage.
5. Remove the Main Control Board Mounting Plate. Refer to Chapter 3 – Disassembly and Access Procedures, Removing the Main Control Board Mounting Plate.
6. Remove the DC Bus Inductor wires from the Gate Driver/Power Supply Board terminals. Refer to NO TAG and NO TAG.
7. Remove the nut fastening the inductor bracket to the chassis.
8. Remove the bracket from the DC Bus Inductor to remove the inductor.

Installation

1. Lower the DC Bus Inductor into the Main Chassis. Align the hole in the bottom inductor bracket with the peg on the chassis.

IMPORTANT: The DC Bus Inductor insulator may shift when the inductor is removed. Before installing the inductor, check the insulator position.

2. Install the DC Bus Inductor in reverse order of removal.

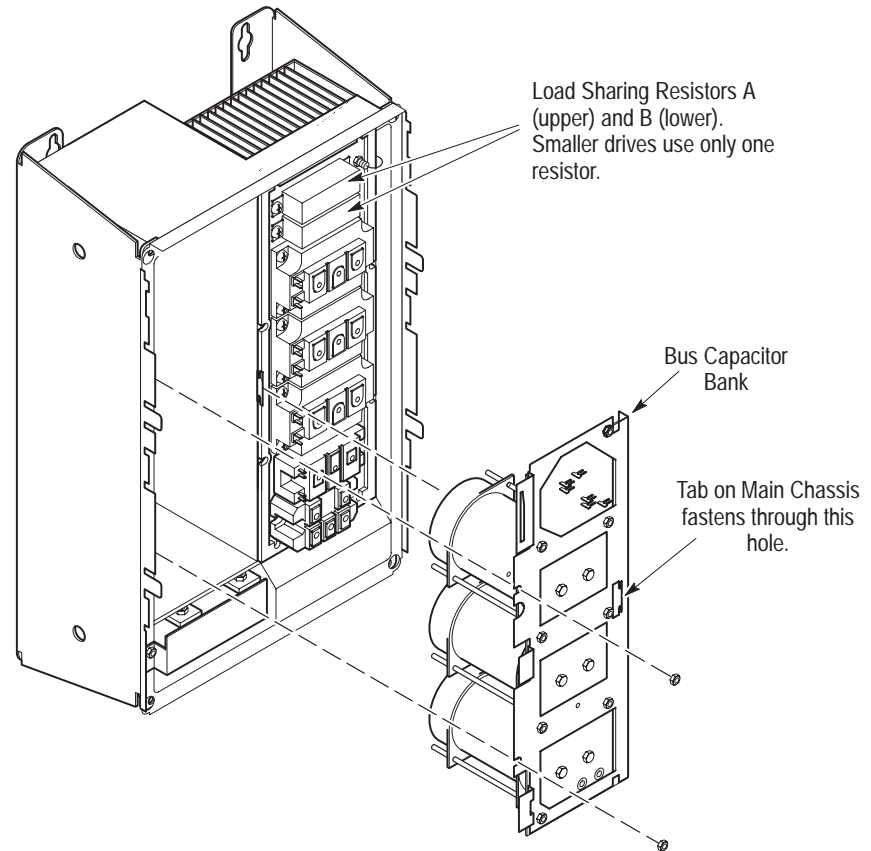


ATTENTION: Replace all guards before applying power to the drive. Failure to replace guards may result in death or serious injury.

Bus Capacitors

The Bus Capacitors are located on the left side of the Main Chassis. Bus Capacitor sizes and quantities vary according to drive ratings.

Figure 5.11
Bus Capacitors



AB0302B

Removal



ATTENTION: Disconnect and lock out power from the drive before disassembling the drive. Failure to disconnect power may result in death or serious injury. Verify bus voltage by measuring the voltage between +DC and -DC on Terminal Block TB1. Do not attempt to service the drive until the bus voltage has discharged to zero volts.



ATTENTION: Wear a wrist-type grounding strap when servicing 1336 PLUS Drives. Failure to protect drive components against ESD may damage drive components. Refer to Electrostatic Discharge Precautions at the beginning of this chapter.

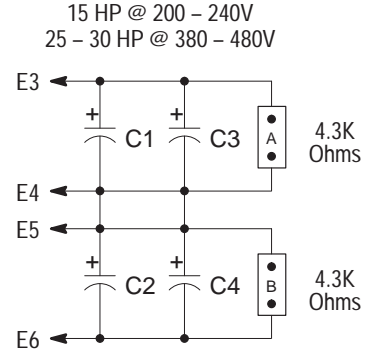
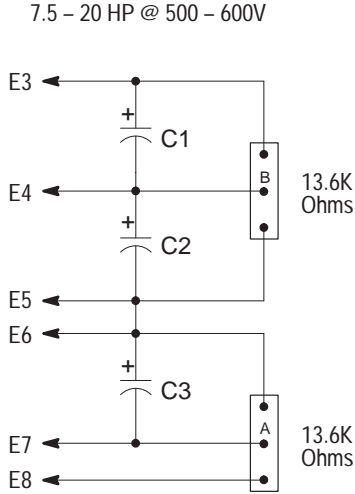
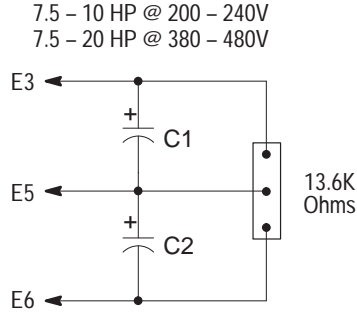
IMPORTANT: Before you remove connections and wires from the drive components, mark the connections and wires to correspond with their component connections and terminals to prevent incorrect wiring during assembly.

1. Remove power from the drive.
2. Remove the Enclosure cover if the drive has an enclosure. Refer to Chapter 3 – Disassembly and Access Procedures, Removing the Drive Enclosure.
3. Check for zero volts at TB1 Terminals +DC and –DC before proceeding.
4. Remove the Main Control Board and Gate Driver Board. Refer to Chapter 3 – Disassembly and Access Procedures for your drive Series A, B, C, or D before continuing with Step 4.
5. Remove the Load Sharing Resistor wires from the connectors on the Bus Capacitor Bank.
6. Remove the two nuts fastening the Bus Capacitor assembly to the chassis.
7. Remove the Bus Capacitor assembly from the Main Chassis.

Installation

1. Fasten the capacitor assembly to the Main Chassis using the two nuts on the left side.
2. Fasten the mounting nuts. Refer to Chapter 3 – Disassembly and Access Procedures, Table 3.A – Fastener Torque Specifications.
3. Connect the Load Sharing Resistors to the Bus Capacitors according to the following diagrams.

Figure 5.12
Load Sharing Resistor Connections to Bus Capacitors



AB0313A



ATTENTION: The Capacitor Bus PCB must connect a positive (+) capacitor terminal to a negative (-) capacitor terminal. Capacitors not connected correctly will explode and cause death or serious injury.

This Page Intentionally Left Blank.

Replacement Parts List

Chapter Objectives

This chapter illustrates and lists replacement parts for the 1336 PLUS Drives rated A007 – A015, B007 – B030, and C007 – C020 and describes replacement parts ordering procedures.

The following illustration and table show you parts, part names, part numbers, locations, and chapters for replacement procedures.

Ordering Replacement Parts

For your convenience, the Allen-Bradley Drives Division and the Allen-Bradley Support Division provide efficient and convenient repair and exchange for eligible equipment.

A product service report number is required to return any equipment for repair. Your local Allen-Bradley distributor or area sales and support office can provide you with a product service report number.

You should return equipment to be repaired to the area sales and support center nearest you. Reference the product service report number on the carton and packing slip. Include:

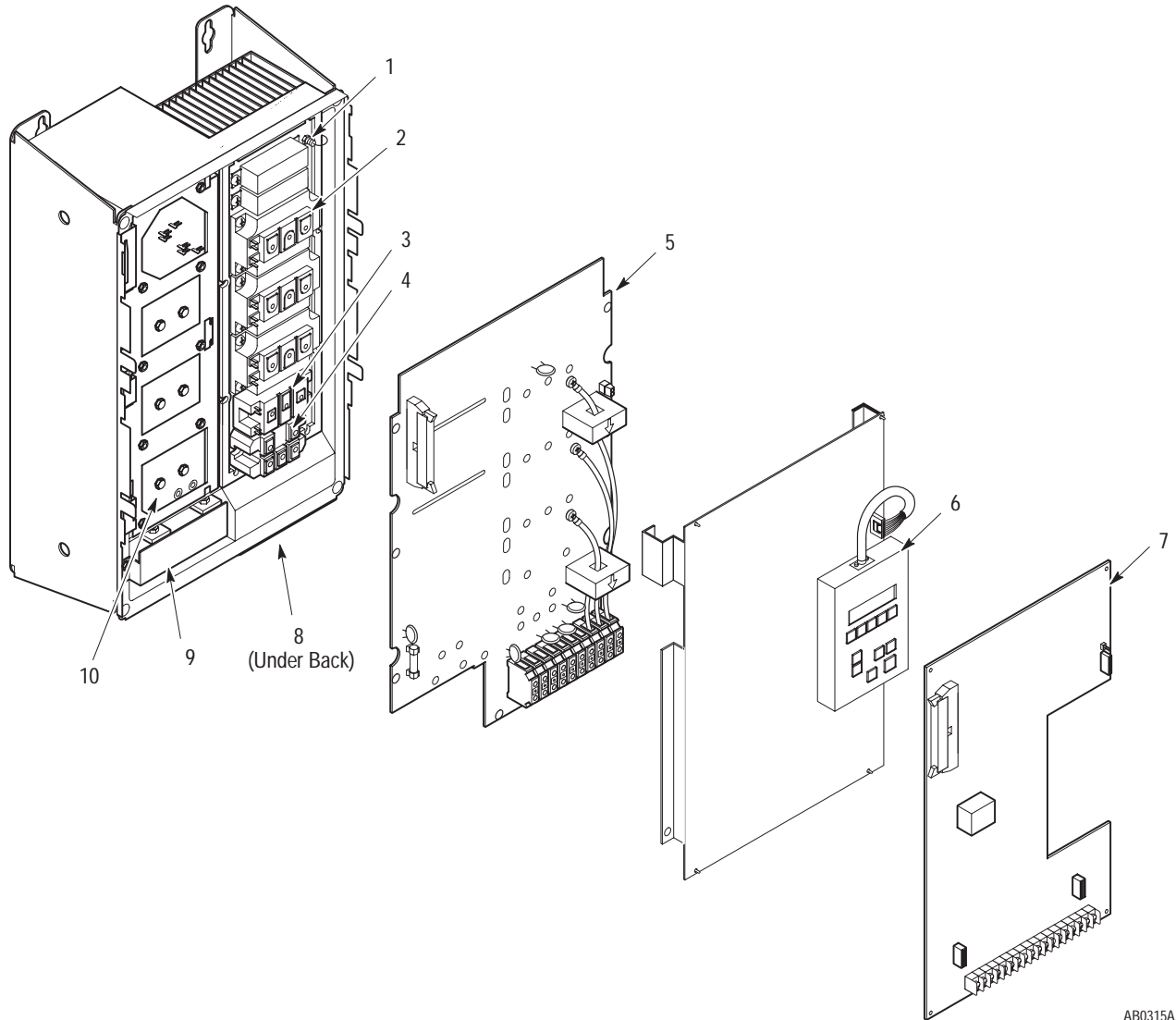
- Your company name
- Your company address
- The repair purchase order number
- A brief description of the problem

Contact your local Allen-Bradley distributor or sales office for a complete listing of area sales and support centers near you.

For parts catalog numbers, refer to the 1336 PLUS Spare Parts Pricing publication included with your drive documentation set.

Replacement Parts Listing

Figure 6.1
Parts for Series A, B, C, and D Drives Rated A007 – A015, B007 – B030, and
C007 – C020



AB0315A

Table 6.A
Replacement Parts for Series A, B, C, and D Drives Rated A007 – A015, B007 – B030, and C007 – C020

Callout	Symbol	Description	Location	Replacement Procedures
1	ST	Thermistor	Main Chassis	Chapter 5, Thermistor
2	Q1 – 3	Transistor	Main Chassis	Chapter 5, Transistor Modules
3	M1	Precharge Module	Main Chassis	Chapter 5, Precharge Module
4	BR1	Bridge Rectifier	Main Chassis	Chapter 5, Bridge Rectifier BR1
5	BASEDR/ PWRSPPLY	Gate Driver/Power Supply PCB	–	Chapter 3, Removing the Gate Driver/Power Supply Board
6	LOCAL DIS	Human Interface Module	Main Control Board Mounting Plate	Chapter 1, Module Removal
7	MAIN CTL	Main Control PCB	Main Control Board	Chapter 3, Removing the Main Control Board from the Mounting Plate
8	FAN	Fan	Main Chassis	Chapter 5, Fan
9	L1	DC Bus Inductor	Main Chassis	Chapter 5, DC Bus Inductor L1
10	C1 – C4	Bus Capacitors	Main Chassis	Chapter 5, Bus Capacitors

This Page Intentionally Left Blank

1336 PLUS Schematics

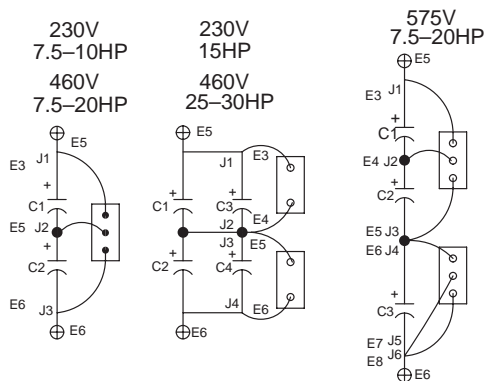
A007 A015

B007 B030

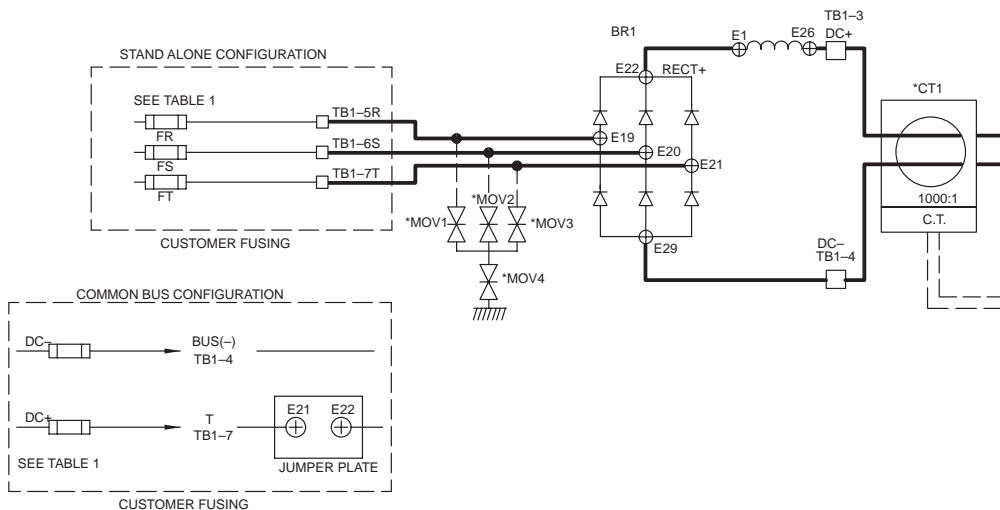
C007 C020

7.5 – 30 HP 1336 PLUS Drives

DETAIL 1



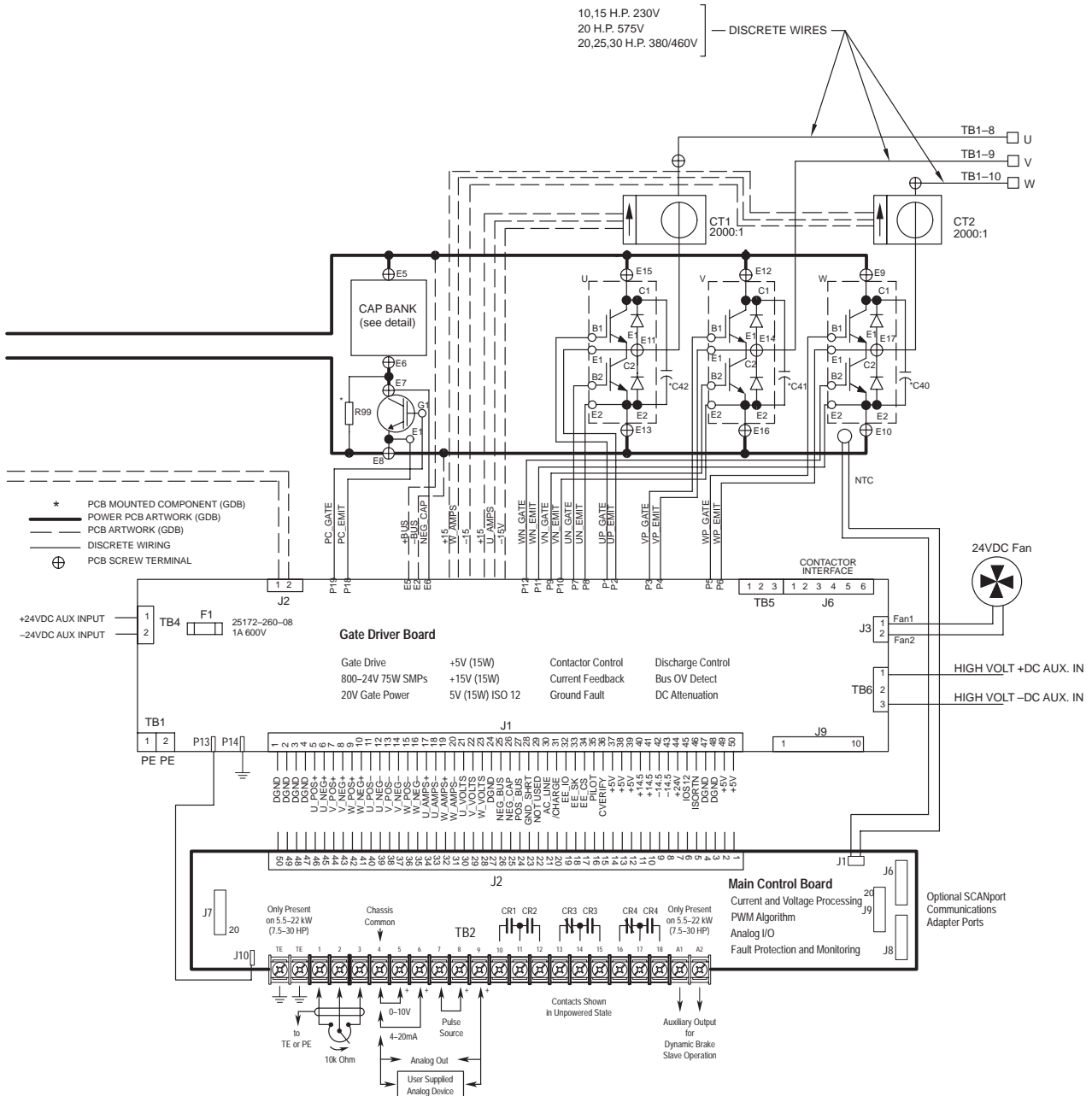
ALL CAPS ARE CONNECTED TOGETHER BY PCB ARTWORK



HP	VOLTAGE	FUSE (AC)		FUSE (DC) COMMON BUS
		FR,FS,FT	TYPE JJ	SPP,FWP,A70Q
7.5	230		35	35
10	230		45	50
15	230		70	60
7.5CT 10VT	380/460		20	20
10CT 15VT	380/460		30	25
15CT 20VT	380/460		35	35
20CT 25VT	380/460		45	50
25CT 30VT	380/460		60	60
30CT 30IEC	380/460		70	60
7.5	575		15	15
10	575		20	20
15	575		25	30
20	575		35	35

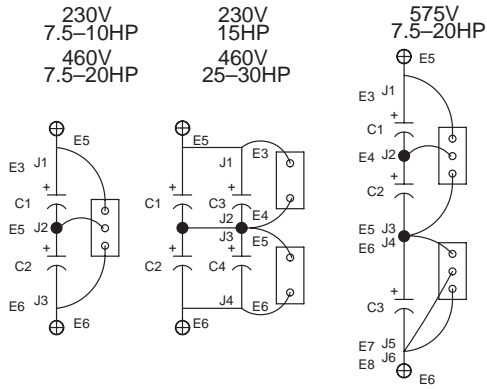
Series A and B
 200–240 Volt: 5.5–11 kW (7.5–15 HP)
 380–480 Volt: 5.5–22 kW (7.5–30 HP)
 500–600 Volt: 5.5–15 kW (7.5–20 HP)

1336 PLUS Schematics
A007 A015
B007 B030
C007 C020



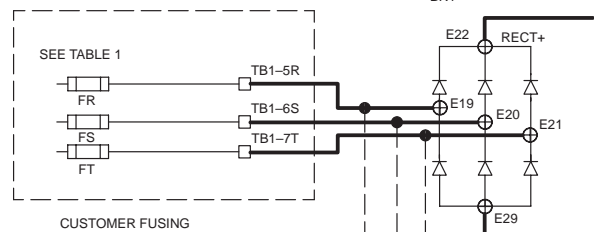
AB0686B

CAP BANK DETAILS

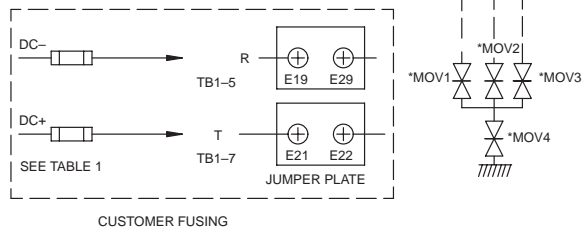


ALL CAPS ARE CONNECTED TOGETHER BY PCB ARTWORK

STANDALONE CONFIGURATION



COMMON BUS CONFIGURATION

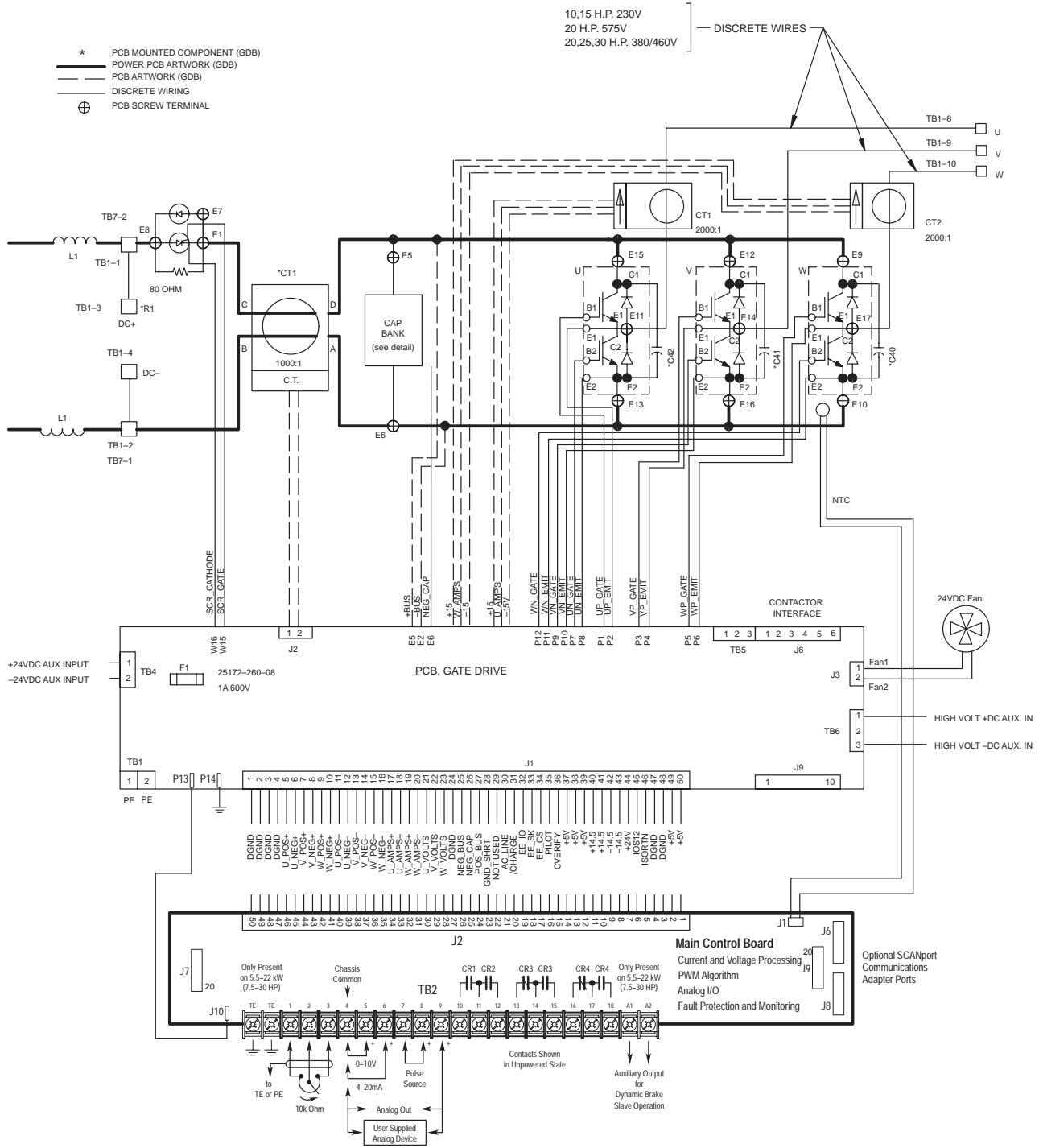


HP	VOLTAGE	FUSE (AC)	FUSE (DC) COMMON BUS
		FR,FS,FT TYPE JJ	SPP,FWP,A70Q
7.5	230	35	35
10	230	45	50
15	230	70	60
7.5CT 10VT	380/460	20	20
10CT 15VT	380/460	30	25
15CT 20VT	380/460	35	35
20CT 25VT	380/460	45	50
25CT 30VT	380/460	60	60
30CT 30IEC	380/460	70	60
7.5	575	15	15
10	575	20	20
15	575	25	30
20	575	35	35

Series C, D

200-240 Volt: 5.5-11 kW (7.5-15 HP)
380-480 Volt: 5.5-22 kW (7.5-30 HP)
500-600 Volt: 5.5-15 kW (7.5-20 HP)

1336 PLUS Schematics
A007 A015
B007 B030
C007 C020



1336 PLUS Schematics
A007 A015
B007 B030
C007 C020

This Page Intentionally Left Blank

Glossary

AC Contactor: An alternating-current (AC) contactor is designed for the specific purpose of establishing or interrupting an AC Power circuit.

Adjustable Speed: The concept of varying the speed of a motor, either manually or automatically. The desired operating speed (set speed) is relatively constant regardless of load.

Adjustable Speed Drive (Electrical): The adjustable speed drive is comprised of the motor, drive controller and operator's controls (either manual or automatic).

Ambient Temperature: The temperature of the medium (air, water, earth) into which the heat of the equipment is dissipated.

Base Speed: The manufacturer's nameplate rating where the motor will develop rated power at rated load and voltage. With DC drives, it is commonly the point where full armature voltage is applied with full-rated field excitation. With AC systems, it is commonly the point where 60 Hz is applied to the induction motor.

BR: Refer to *Bridge Rectifier*.

Braking: A method of stopping or reducing the time required to stop an AC motor, and can be accomplished in several ways:

1. DC-Injection braking (AC drives) — A method which produces electromagnetic braking forces in the motor by removing 2 AC motor (stator) phases and injecting DC current. The result is a linear braking characteristic (ramp) that does not diminish with motor speed. Application is normally limited to 10 – 20% of rated motor speed due to increased heating in the rotor.
2. Dynamic braking (AC drives) — A method which produces electromagnetic braking forces in the motor by dissipating generated power into the DC bus through a resistive load. Braking force remains constant and is only limited by the thermal capacity of the resistors. The result is a linear braking characteristic (ramp) that does not diminish with motor speed.
3. Regenerative braking — A method which produces electromagnetic braking forces in the motor by electronically controlling the return of generated power to the AC supply. The result is a controllable linear braking characteristic (ramp) that does not diminish with motor speed.

4. Motor-mounted or separately-mounted brake — A positive-action, mechanical friction device. Normal configuration is such that when the power is removed, the brake is set. This can be used as a holding brake. (Note: A separately mounted brake is not one which is located on some part of the mechanical drive train other than the motor.)

Breakaway Torque: The torque required to start a machine from standstill. Breakaway torque is always greater than the torque needed to maintain motion.

Breakdown Torque: The breakdown torque of an AC motor is the maximum torque which it will develop with rated voltage applied at rated frequency.

Bridge Rectifier (Diode, SCR): A non-controlled, full-wave rectifier that produces a constant, rectified, DC voltage. An SCR bridge rectifier is a full-wave rectifier with a DC output that can be controlled by switching on the gate control element.

Bridge Rectifier: A full-wave rectifier that conducts current in only one direction of the input current. AC applied to the input results in approximate DC at the output.

British Thermal Unit (BTU): The quantity of heat required to raise one pound of water by one degree Fahrenheit.

BTU: Refer to *British Thermal Unit*.

Bus: A single path or multiple parallel paths for power or data signals to which several devices may be connected at the same time. A bus may have several sources of supply and/or several sources of demand.

Bus Sense: A signal transducer that generates a signal proportional to the current in the drive's DC bus. The control logic uses this signal to sense the presence or absence of bus voltage.

CEMF: Refer to *Counter Electromotive Force*.

CMOS: Complimentary Metallic Oxide Semiconductor. A semiconductor device in which an electric field controls the conductance of a channel under a metal electrode called a gate.

Cogging: A condition in which a motor does not rotate smoothly but steps or jerks from one position to another during shaft revolution. Cogging is most pronounced at low motor speeds and can cause objectionable vibrations in the driven machinery.

Constant Torque Range: A speed range in which a motor is capable of delivering a constant torque, subject to cooling limitations of the motor.

Constant Voltage Range: (AC Drives) The range of motor operation where the drive's output voltage is held constant as output frequency is varied. This speed range produces motor performance similar to a DC drive's constant horsepower range.

Constant Volts per Hertz (V/Hz): The V/Hz relationship exists in AC drives where the output voltage is directly proportional to frequency. This type of operation produces constant rated torque as the motor's speed varies.

Continuous Duty (CONT): A motor that can continue to operate without stopping and remain within the insulation temperature limits after it has reached normal operating (equilibrium) temperature.

Converter:

1. A device for changing AC to DC. This is accomplished through use of a diode rectifier or thyristor rectifier circuit.
2. A device for changing AC to DC to AC (e.g., adjustable frequency drive). A frequency converter, such as that found in an adjustable frequency drive, consists of a rectifier, a DC intermediate circuit, an inverter, and a control unit.

Counter Electromotive Force (CEMF): The product of a motor armature rotating in a magnetic field. This generating action takes place whenever a motor is rotating. Under stable motoring conditions the generated voltage (CEMF) is equal to the voltage supplied to the motor minus small losses. However, the polarity of the CEMF is opposite to that of the power being supplied to the armature.

Current Limiting: An electronic method of limiting the maximum current available to the motor. This is adjustable so that the motor's maximum current can be controlled. It can also be preset as a protective device to protect both the motor and the control from extended overloads.

DC Boost: Compensates for the voltage drop across the resistance of an AC motor circuit and the resulting reduction in torque.

DC Bus: A drive's power structure that transmits a rectified AC line power from the bridge rectifier to the output transistors.

DC Hold: Describes a "holding brake" function to stop motor rotation after a ramp-to-stop function is activated.

Diode: A solid-state uni-directional conductor.

Drift: A slow change in some characteristic of a device. For a drive, it is the deviation from the initial set speed with no load change over a specific time period. Normally the drive must be operated for a specified warm-up time at a specified ambient temperature before drift specifications apply. Drift is normally caused by random changes in operating characteristics of various control components.

Drive Controller (Variable Speed Drive) (Drive): An electronic device that can control the speed, torque, horsepower, and direction of an AC or DC motor.

1. PWM drive — is a motor drive using pulse-width modulation techniques to control power to the motor. A high-efficiency drive used for high-response applications.
2. SCR drive — is a motor drive that uses SCRs as the power control elements. Usually used for low-bandwidth high-power applications.
3. Servo drive — is a motor drive that uses internal feedback loops for motor current and/or velocity.
4. Vector drive — is an AC static motor drive using power-control techniques that produce motor performance similar to DC static drives.

Duty Cycle:

1. The ratio of working time to total time for an intermittently operating device. Usually expressed as a percentage.
2. The ratio of pulse width to the interval between like portions of successive pulses. Usually expressed as a percentage.

Dynamic Braking: Refer to *Braking*.

Efficiency: Ratio of output to input, indicated by a percentage. In a motor, it is the effectiveness with which the motor converts electrical energy into mechanical energy. In a power supply, it is the effectiveness with which the power supply converts AC power into DC power.

Electrostatic Discharge (ESD): A static-electricity discharge that may damage drive components. Refer to the ESD precautions found in this manual to guard against damage to drive components.

Enable: To activate logic by the removal of a suppression signal.

Enclosure: The housing in which equipment is mounted. They are available in designs for various environmental conditions. Refer to NEMA standard for specifications of different types of enclosures.

ENUM (Enumeration): An ANSI C standard extension to the C language. An ENUM is a set of named integer constants that specify all the legal values a variable of a given type may have. The keyword ENUM signals the start of an enumeration type.

ESD: Refer to *Electrostatic Discharge*.

Floating Ground: An electrical circuit common which is not at earth ground potential or the same ground potential as circuitry with which it interfaces. A voltage difference can exist between the floating ground and earth ground.

Force: The tendency to change the motion of an object with an exertion of energy from a separate source.

Full Load Torque: The full-load torque of a motor is the torque necessary to produce rated horsepower at full-load speed.

Gate:

1. A logic element that blocks or passes a signal, depending on the status of specified input signals.
2. The control element of an SCR.

GND Sense: A current transducer that detects an unequal or imbalanced current in the three-phase AC line or DC bus of the drive. The imbalance indicates an output ground fault condition.

Horsepower (hp): A unit of power: 1 hp = 33,000 ft-lb/min. = 746 watts.

IEC: International Electrotechnical Commission.

IGBT: Refer to *Insulated Gate Bipolar Transistor*.

Induction Motor: An induction motor is an alternating-current motor in which the primary winding on one member is connected to the power

source. A secondary winding on the other member carries the induced current. There is no physical electrical connection to the secondary winding; its current is induced.

Inertia: A measure of a body's resistance to change in velocity, whether a body is at rest or moving at a constant velocity. The velocity can be either linear or rotational. The moment of inertia (WK^2) is the product of the weight (W) of an object and the square of the radius of gyration (K^2). The radius of gyration is a measure of how the mass of the object is distributed about the axis of rotation. WK^2 is usually expressed in units of lb-ft².

Insulated Gate Bipolar Transistor (IGBT): A type of transistor commonly used in drive-control devices.

Integral-Horsepower Motor: A motor that has a continuous rating of 1 hp or more, built into a frame.

International Organization for Standards (ISO): An organization established to promote development of international standards.

Interposing Relay: An interposing relay is a relay that accepts control signals of one logic level in order to provide isolated contact signals in a circuit operating at a different logic level.

Inverter:

1. An AC adjustable frequency drive.
2. A particular section of an AC drive. This section uses the DC voltage from a previous circuit stage (intermediate DC circuit) to produce a pulse-width-modulated or stepped AC current or voltage waveform that has characteristics similar to the desired sine-wave frequency.
3. A circuit whose output signal is the inverse of its input (a positive-going pulse is inverted to a negative-going pulse, and vice versa).

ISO: Refer to *International Organization for Standards*.

Isolation Transformer:

1. A transformer that provides DC isolation from other equipment not connected to that transformer secondary.
2. A transformer that provides noise isolation between the primary and secondary by such means as a Faraday shield.

Jogging:

1. In a numerical control system, an operator manually generating motion (continuously or incrementally) by closing a switch.
2. An operator generating motion by closing a switch.

Kinetic Energy: The energy of motion of a moving body.

LAD: Refer to *Linear Acceleration/Deceleration*.

LEM: A hall-effect current transducer that senses drive output current and generates a signal for the control logic.

Linear Acceleration/Deceleration (LAD): A circuit that controls the rate at which a motor is allowed to accelerate to a set speed or decelerate to zero speed. On most drives, this circuit is adjustable and can be set to accommodate a particular application.

Linearity: A measure of how closely a characteristic follows a straight-line function.

Locked-Rotor Current: Steady-state current taken from the line current with the a rotor at standstill (at rated voltage and frequency). This is the current when starting the motor and load.

Locked-Rotor Torque: The minimum torque that a motor will develop at rest for all angular positions of the rotor (with rated voltage applied at rated frequency).

Megger Test: A test used to measure an insulation system's resistance. This is usually measured in megohms by applying a high voltage.

MOV: Refer to *Surge Protection*.

National Electrical Code (NEC): A set of regulations governing the construction and installation of electrical wiring and apparatus, established by the National Fire Protection Association and suitable for mandatory application by governing bodies exercising legal jurisdiction. It is widely used by state and local authorities within the United States.

National Electrical Manufacturer's Association (NEMA): A non-profit organization organized and supported by electrical equipment and supply manufacturers. Some NEMA motor standards include horsepower (hp) ratings, speeds, frame sizes and dimensions, torques, and drive enclosures.

NEC: Refer to *National Electrical Code*.

Negative Slope: The location on a V/Hz curve where the break voltage exceeds the base voltage.

NEMA: Refer to *National Electrical Manufacturer's Association*.

Offset: The steady-state deviation of a controlled variable from a fixed setpoint.

Op Amp: An operational amplifier. A high-gain stable linear DC amplifier that is designed to be used with external circuit elements.

Open Loop System: A control system that has no means of comparing the output with the input for control purposes.

Overload Capacity: The ability of the drive to withstand currents beyond the system's continuous rating. It is normally specified as a percentage of full-load current endured for a specified time period. Overload capacity is defined by NEMA as 150% of rated full load current for one minute for "standard industrial DC motors."

PC:

1. Personal Computer.
2. Programmable Controller.
3. Printed Circuit.

Plugging: A type of motor braking provided by reversing either line voltage polarity or phase sequence so that the motor develops a counter torque that exerts a retarding force to brake the motor.

Pot: A potentiometer, or variable resistor.

Power: Work done per unit of time. Measured in horsepower (hp) or watts (W): 1 hp = 33,000 ft-lb/min. = 746 W.

Power Factor (Displacement): A measurement of the time phase difference between the fundamental voltage and fundamental current in an AC circuit. It represents the cosine of the phase angle difference.

$$F_p = \cos(\alpha - \beta)$$

Power Factor (Distortion): A measurement of the ratio of the real power (kW) to the apparent power (kVA). Distortion power factor takes into account harmonic voltage and current distortion as well as voltage-to-current displacement.

Preform: A flexible material used between an electronic component and the heat sink to which the component is attached. Preform provides maximum heat dissipation from the component to the heat sink.

Preset Speed: Describes one or more fixed speeds at which a drive operates.

Programmable Controller: A solid-state control system that has a user-programmable memory for storage of instructions to implement specific functions such as I/O control, logic, timing, counting, report generation, communication, arithmetic, and data file manipulation. A controller consists of a central processor, input/output interface, and memory. A controller is designed as an industrial control system.

Pull-In Torque: The maximum constant torque to which a synchronous motor accelerates into synchronism at rated voltage and frequency.

Pull-Out Torque: The maximum running torque of a synchronous motor.

Pull-Up Torque: The torque required to accelerate the load from standstill to full speed (where breakdown torque occurs), expressed in percent of running torque. It is the torque required not only to overcome friction, windage, and product loading but also to overcome the inertia of the machine. The torque required by a machine may not be constant after the machine has started to turn. This load type is characteristic of fans, centrifugal pumps, and certain machine tools.

PWM: Pulse-width Modulation. A technique used to eliminate or reduce unwanted harmonic frequencies when inverting DC voltage to sine wave AC.

Reactance: Pure inductance or capacitance, expressed in ohms, in a circuit. It is the component of impedance to alternating current that is not resistance.

Rectifier: A device that conducts current in only one direction, thereby transforming alternating current to direct current.

Regeneration: (AC drives) When the rotor synchronous frequency is greater than the applied frequency.

Regenerative Braking: Slows or stops a motor through regeneration. Refer to *Regeneration* and *Braking*.

Resolution: The smallest distinguishable increment into which a quantity can be divided (e.g., position or shaft speed). It is also the degree to which nearly equal values of a quantity can be discriminated. For rotary encoders, it is the number of unique electrically identified positions occurring in 360 degrees of input shaft rotation. For D/A or A/D conversion, may be expressed as the number of bits in the digital value that corresponds to a full-scale analog value.

SCR: Silicon Controlled Rectifier. A solid-state uni-directional latching switch.

Service Factor: When used on a motor nameplate, a number that indicates how much above the nameplate rating a motor can be loaded without causing serious degradation (i.e., a motor with 1.15 S-F can produce 15% greater torque than one with 1.0 S-F).

Set Speed: The desired operating speed.

Shock Load: The load seen by a clutch, brake, or motor in a system that transmits high peak loads. This type of load is present in crushers, separators, grinders, conveyors, winches, and cranes.

Slip: The difference between rotating magnetic field speed (synchronous speed) and rotor speed of AC induction motors. Usually expressed as a percentage of synchronous speed.

Slip Compensation: Monitors motor current and compensates for speed lost due to increased motor slip. The amount of slip is proportional to the motor load.

Speed Range: The speed minimum and maximum at which a motor must operate under constant or variable torque load conditions. A 50:1 speed range for a motor with top speed 1800 rpm means the motor must operate as low as 36 rpm and still remain within regulation specification. Controllers are capable of wider controllable speed ranges than motors because there is no thermal limitation, only electrical. Controllable speed range of a motor is limited by the ability to deliver 100% torque below base speed without additional cooling.

Speed Regulation: The numerical measure (percent) of how accurately the motor speed can be maintained. It is the percentage of change in speed between full load and no load. The ability of a drive to operate a motor at constant speed (under varying load), without “hunting” (alternately speeding up and slowing down). It is related to both the characteristics of the load being driven and electrical time constants in the drive regulator circuits.

Surge Protection: The process of absorbing and clipping voltage transients on an incoming AC power line or control circuit. Surge protectors include MOVs (Metal Oxide Varistors) and specially designed R-C networks.

Synchronous Speed: The speed of an AC induction motor’s rotating magnetic field. It is determined by the frequency applied to the stator and the number of magnetic poles present in each phase of the stator windings. Mathematically, it is expressed as: Sync Speed (rpm) = $120 \times \text{Applied Freq. (Hz)} / \text{Number of poles per phase}$.

Torque: A turning force applied to a shaft, tending to cause rotation. Torque is equal to the force applied, times the radius through which it acts. Torque is measured in pound-feet, ounce-inches, Newton-meters, or gram-centimeters.

Transducer: A device that converts one energy form to another (e.g., mechanical to electrical). When a transducer is actuated by signals from one system or medium, it can supply a related signal to the other system or medium.

Transient: A momentary power deviation in an electrical or mechanical system.

Transistor: An active solid-state semiconductor device.

Work: A force moving an object over a distance.
(work = force x distance)

This Page Intentionally Left Blank

Index

A

Adapter Locations, 1-9
 Adptr Freq Err, 2-4
 Audience for this Manual, P-1
 Auxiliary Fault, 2-4
 Auxiliary Input, Definition, P-10
 Auxiliary Interlock, Definition, P-10

B

BGND 10ms Over, 2-4
 Bit, Definition, P-10
 Blwn Fuse Flt, 2-4
 Bridge Rectifier
 Illustration, 5-12
 Installation, 5-13
 Removal, 5-12
 Test, 4-3
 Bus Capacitor
 Illustration, 5-21
 Installation, 5-22
 Removal, 5-21
 Test, 4-5

C

Check, Definition, P-10
 Clearing Faults, 2-15
 Component Test Procedures, 4-1
 Connector, Definition, P-10
 Control Interface Board
 Definition, P-11
 Illustration, 3-6
 Installation, 3-7
 Jumper Locations, 1-3
 Removal, 3-7
 Control Interface Option, 1-2
 Control Logic Wiring, 1-1
 Conventions in this Manual, P-10

D

DC Bus Inductor (Series A and B)
 Illustration, 5-16
 Installation, 5-17
 Removal, 5-16
 DC Bus Inductor (Series C)
 Illustration, 5-18
 Installation, 5-20
 Removal, 5-19
 Default, Definition, P-11
 Diag C Lim Flt, 2-4
 Diagnostic Procedures
 Clearing Faults, 2-15
 Drive Goes to Max Frequency, 2-15
 Drive Stays at Zero Hertz, 2-14
 Drive Will Not Jog, 2-13
 Drive Will Not Start, 2-11
 No Display, 2-12
 Drive
 Enclosure Type, P-9
 Identification, P-4
 Illustration, 5-3
 Nameplate Location, P-3
 Rating, P-9
 Drive -> HIM, 2-4
 Drive Enclosure
 Illustration, 3-5
 Installation, 3-6
 Removal, 3-5
 Drive Fault Reset, 2-4
 Drive Goes to Max Frequency, 2-15
 Drive Stays at Zero Hertz, 2-14
 Drive Will Not Jog, 2-13
 Drive Will Not Start, 2-11

E

EE Init Read, 2-4
 EE Init Value, 2-4
 EEPROM Checksum, 2-4
 EEPROM Fault, 2-4

Electrostatic Discharge, P-2
 Enable Input, Definition, P-11
 Enclosure Type, P-9
 Error Codes, 2-4
 ESD, P-2

F

False, Definition, P-11
 Fan
 Illustration, 5-14
 Installation, 5-15
 Removal, 5-14
 Fastener Torque Specifications, 3-2
 Fault Contacts, 2-3
 Fault Descriptions, 2-3, 2-4
 Fault Display, Illustration, 2-3
 Faults
 Clearing, 2-15
 Cross Reference, 2-9
 Descriptions, 2-4
 Fgnd 10ms Over, 2-4
 Four-Point Mounting, 3-3

G

Gate Driver/Power Supply Board, Testing, 4-15
 Gate Driver/Power Supply Board (Series A and B)
 Illustration, 3-12
 Installation, 3-13
 Removal, 3-12
 Gate Driver/Power Supply Board (Series C)
 Illustration, 3-14, 3-15
 Installation, 3-17
 Removal, 3-16
 Ground Fault, 2-4
 Ground Warning, 2-5

H

Hertz Err Fault, 2-5
 Hertz Sel Fault, 2-5
 HIM → Drive, 2-5
 I-2

Human Interface Module (HIM)
 Adapter Locations, 1-9
 Description, 1-8
 Illustration, 1-9
 Operation, 1-10
 Removal, 1-10

I

Identification, Product, P-3
 Input Mode
 Factory Default, 1-6
 Programming, 1-4
 Selection, 1-5
 Three-Wire, Single-Source, 1-6
 Inputs, Available, 1-4
 Installation Procedures. *See* Procedures

J

Jumper, Definition, P-11

L

Load Sharing Resistor Connections, 5-23
 Local Programming, 1-4
 Loop Overrn Flt, 2-5

M

Main Control Board
 Illustration, 3-8
 Installation, 3-9
 Removal, 3-8
 Main Control Board Mounting Plate
 Illustration, 3-10
 Installation, 3-11
 Removal, 3-10
 Major Component Replacement. *See* Procedures
 Manual
 Audience, P-1
 Conventions, P-10
 Objective, P-1
 Related Publications, P-12
 Max Retries Fault, 2-5
 Motor Mode Flt, 2-5
 Motor Stall Fault, 2-5

Mounting

- Four-Point, 3-3
- Two-Point, 3-2

N

Nameplate Location, P-3

Neg Slope Fault, 2-6

No Display, 2-12

O

Objective of this Manual, P-1

Op Error Fault, 2-6

Open Pot Fault, 2-6

Operation, Human Interface Module, 1-10

Option

- Control Interface, 1-2
- Identification, P-4

Overcurrent Flt, 2-6

Overload Fault, 2-6

Overtemp Fault, 2-6

Overvolt Fault, 2-6

P

P Jump Err Flt, 2-6

Parameter, Definition, P-11

Phase U Fault, 2-6

Phase V Fault, 2-6

Phase W Fault, 2-6

Pole Calc Fault, 2-7

Power Loss Fault, 2-7

Power Mode Fault, 2-7

Power Overload, 2-7

Power Test Flt, 2-7

Precautions

- Electrostatic Discharge, P-2
- Safety, P-1

Precharge Fault, 2-7

Precharge Module (Series A and B)

- Illustration, 5-4

Installation, 5-5

Removal, 5-4

Test, 4-10

Precharge Module (Series C)

Illustration, 5-6

Installation, 5-7

Removal, 5-6

Test, 4-12

Precharge Open, 2-7

Press, Definition, P-11

Procedures

Accessing Internal Drive Components, 3-1

Bridge Rectifier Installation, 5-13

Bridge Rectifier Removal, 5-12

Bridge Rectifier Test, 4-3

Bus Capacitor Installation, 5-22

Bus Capacitor Removal, 5-21

Bus Capacitor Test, 4-5

Component Test, 4-1

Control Board Installation, 3-9

Control Board Mounting Plate Installation, 3-11

Control Board Mounting Plate Removal, 3-10

Control Board Removal, 3-8

Control Interface Board Installation, 3-7

Control Interface Board Removal, 3-6

DC Bus Inductor (Series A and B) Installation, 5-17

DC Bus Inductor (Series A and B) Removal, 5-16

DC Bus Inductor (Series C) Installation, 5-20

DC Bus Inductor (Series C) Removal, 5-19

Diagnostic, 2-11

Drive Enclosure Installation, 3-6

Drive Enclosure Removal, 3-5

Fan Installation, 5-15

Fan Removal, 5-14

Gate Driver/Power Supply Board (Series A and B)
Installation, 3-13Gate Driver/Power Supply Board (Series A and B)
Removal, 3-12Gate Driver/Power Supply Board (Series A and B)
Test, 4-15Gate Driver/Power Supply Board (Series C) Installa-
tion, 3-17Gate Driver/Power Supply Board (Series C) Removal,
3-16

Gate Driver/Power Supply Board (Series C) Test, 4-15

Gate Driver/Power Supply Board Test, 4-15

Major Component Replacement, 5-2

Precharge Module (Series A and B) Installation, 5-5

Precharge Module (Series A and B) Removal, 5-4

Precharge Module (Series A and B) Test, 4-10

Precharge Module (Series C), 5-6

Precharge Module (Series C) Installation, 5-7

Precharge Module (Series C) Removal, 5-6

Precharge Module (Series C) Test, 4-12

Replacement Parts, 5-1
 Thermistor Installation, 5-9
 Thermistor Removal, 5-8
 Transistor Module Installation, 5-11
 Transistor Module Removal, 5-10
 Transistor Module Test, 4-8

Product Identification, P-3

Programming
 Input Mode, 1-4
 Local, 1-4

R

Rating, Drive, P-9
 Related Publications, P-12
 Removal Procedures. *See* Procedures
 Removal, Human Interface Module, 1-10
 Replacement Parts, 6-1
 Replacement Parts Procedures, 5-1
 Reprogram Fault, 2-7
 ROM or RAM Flt, 2-7
 Run Boost Fault, 2-7

S

Safety Precautions, P-1
 Schematics, S-1
 Serial Fault, 2-7
 Shear Pin Fault, 2-7
 Speed Select, Input State, 1-8

T

TB3 Terminal Designations, 1-5
 Temp Sense Open, 2-8
 Terminal Block Locations, 1-2
 Terminal Designations, TB3, 1-5
 Thermistor
 Illustration, 5-8

Installation, 5-9
 Removal, 5-8

Tools, Required for Service, 3-2, 4-2, 5-2

Torque
 Four-Point Mounting Sequence, 3-3
 Maximum for TB Terminals, 1-5
 Specifications, 3-4
 Two-Point Mounting Sequence, 3-2

Transistor Module
 Illustration, 5-10
 Installation, 5-11
 Removal, 5-10
 Test, 4-8

Troubleshooting
 Component Test Procedures, 4-1
 Fault Code Cross Reference, 2-9
 Fault Contact Description, 2-3
 Fault Descriptions, 2-3, 2-4
 Fault Display Illustration, 2-3
 Overview, 2-1

True, Definition, P-12

Two-Point Mounting, 3-2

U

Undervolt Fault, 2-8
 UV Short Fault, 2-8
 UW Short Fault, 2-8

V

VW Short Fault, 2-8

W

Wire Sizes, 1-5

X

Xsistr Desat Flt, 2-8

SCANport is a trademark of Allen-Bradley Company, Inc.
PLC is a registered trademark of Allen-Bradley Company, Inc.



Allen-Bradley, a Rockwell Automation Business, has been helping its customers improve productivity and quality for more than 90 years. We design, manufacture and support a broad range of automation products worldwide. They include logic processors, power and motion control devices, operator interfaces, sensors and a variety of software. Rockwell is one of the world's leading technology companies.

Worldwide representation.



Argentina • Australia • Austria • Bahrain • Belgium • Brazil • Bulgaria • Canada • Chile • China, PRC • Colombia • Costa Rica • Croatia • Cyprus • Czech Republic • Denmark • Ecuador • Egypt • El Salvador • Finland • France • Germany • Greece • Guatemala • Honduras • Hong Kong • Hungary • Iceland • India • Indonesia • Ireland • Israel • Italy • Jamaica • Japan • Jordan • Korea • Kuwait • Lebanon • Malaysia • Mexico • Netherlands • New Zealand • Norway • Pakistan • Peru • Philippines • Poland • Portugal • Puerto Rico • Qatar • Romania • Russia-CIS • Saudi Arabia • Singapore • Slovakia • Slovenia • South Africa, Republic • Spain • Sweden • Switzerland • Taiwan • Thailand • Turkey • United Arab Emirates • United Kingdom • United States • Uruguay • Venezuela • Yugoslavia

Allen-Bradley Headquarters, 1201 South Second Street, Milwaukee, WI 53204 USA, Tel: (1) 414 382-2000 Fax: (1) 414 382-4444