

**FBM231 Field Device System Integrator Module, Four Serial Ports, Redundant**



*The FBM231 Redundant Field Device System Integrator (FDSI) modules provide a serial interface between dual-ported field I/O devices and the Foxboro Evo™ system.*

**OVERVIEW**

A pair of FBM231 modules combine to provide redundancy at the Fieldbus Module (FBM) level, with field wiring to two termination assemblies (see Figure 1). In this configuration, one FBM231 is the Master, and the other is the Tracker module. Input points on the control station are updated from the device inputs received on the network connected to the Master. Device output points, depending on the I/O driver, are written by both the Master and Tracker module. Role switching is automatic if actual problems are detected (for example, heartbeat) by

the I/O driver, or the user can switch the roles at any time via SMDH.

The FBM231 has four ports - each can be individually configured in software for RS-232, RS-422 or RS-485. This allows a single FBM231 the flexibility to connect to multiple similar but not identical devices. Ports 1, 2, 3, and/or 4 can be configured as a single logical port with redundant cables allowing you to interface with dual-ported I/O devices within your plant. The general network configurations are shown in Figure 1.

The FBM231 and its associated termination assemblies (TA) accommodate several types of connections to dual-ported devices; direct connection to devices; connection to modems when used with the RS-232 communication interface, and multidrop connections to RS-485 devices. Intrinsic safety devices can be connected between the TA and the field device. For single ported devices, you should use the FBM230.

## FEATURES

The key features of the FBM231 are:

- ▶ Redundant FBM231 modules communicate with dual-ported devices
- ▶ Four ports - each can be individually configured in software for RS-232, RS-422 or RS-485
- ▶ Supports RS-232, RS-422 or RS-485 communication interface standards
- ▶ I/O software driver is downloadable from a library of available protocols.
- ▶ Up to 2000 DCI block connections
- ▶ Communicates with up to 64 RS-485 or up to 4 direct connect RS-232 or RS-422 devices
- ▶ Integrates field device data into a Foxboro control database
- ▶ Field mounted
- ▶ Class G3 (harsh) environments.

## SERIAL LINK SETUP

Data communication between two FBM231 modules and dual-ported field devices are through two 4-ported termination assemblies (TA) connected to each of the redundant FBM231. Each TA has compression screw or ring lug terminals for each port for RS-422 and RS-485 wiring, with DIP-switch-selectable bus termination resistors per port. For RS-232 wiring, the TA has four standard DB-25 male

connectors and a break-out bank of 24 DIP switches for each port that can be used for any RS-232 wiring configuration (for example, to connect Clear-to-Send to Request-to-Send).

Physical wiring is in accordance with Electronic Industrial Association (EIA) standard RS-232, RS-422, or RS-485.

## I/O DRIVERS

This FBM is a generic hardware module in which different software drivers can be loaded. These drivers configure the FBM to recognize a particular protocol used by the field device. Several of the software drivers are standard product offerings. Other custom drivers can be developed to meet specific needs. These drivers are dynamically downloaded to the pair of FBM231s with software code specifically designed to interface with the third party device's protocol. The configuration procedures and the software requirements for each driver are unique to the device(s) being integrated into the system.

## CONFIGURATOR

The FDSI configurator sets up the FBM231 port via XML based device configuration files. The port configurator allows for easy setup of the communication parameters for each port (such as, communication interface standard, baud rate, parity). The device configurator is not needed for all devices, but when needed it configures device specific and point specific considerations (such as, scan rate, address of the data to be transferred and the amount of data to be transferred in one transaction).

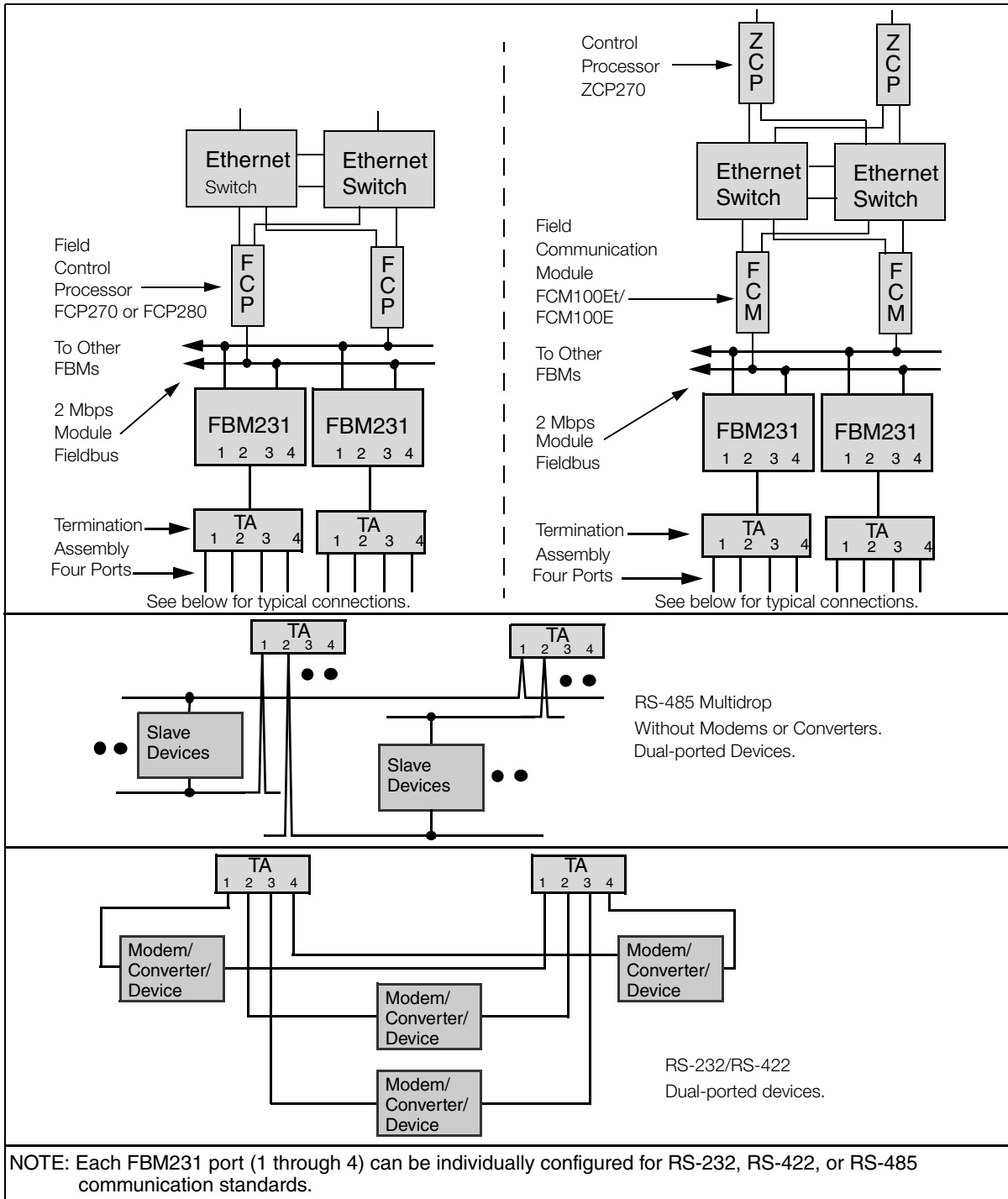


Figure 1. FBM231 in Typical Network Configurations

**OPERATIONS**

Each FBM231 can access up to 64 devices in RS-485 mode to read or write data.

From the Foxboro control station to which the FBM231 is connected (refer to Figure 1), up to 2000 Distributed Control Interface (DCI) data connections can be made to read or write data. Supported data types are determined by the particular driver loaded on the FBM231, which converts the data to the DCI data types listed below:

- ▶ An analog input or output value (integer or IEEE single-precision floating point)
- ▶ A single digital input or output value
- ▶ Multiple (packed) digital input or output values (packed in groups of up to 32 digital points per connection).

Thus a Foxboro control station can access up to 2000 analog I/O values, or up to 64000 digital I/O values, or a combination of digital and analog values spread over the four ports of the FBM231. The frequency of access to the FBM231 data by a control station can be as fast as 500 ms. The performance is dependant on each device type and the layout of data in the device.

The FBM231 collects the required data from the devices, performs the necessary conversions, and then stores the converted data in its database for incorporation into the Foxboro plant management functions and operator displays. Data may also be written out to the individual devices from the Foxboro Evo system.

**CONTROL BLOCK SUPPORT**

The FBM231 offers control block support for the following standard Foxboro Evo system Distributed Control Interface (DCI) block types:

BIN	Binary Input
BINR	Binary Input Redundant

BOUT	Binary Output
IIN	Integer Input
IOUT	Integer Output
PAKIN	Packed Input
PAKOUT	Packed Output
PLSOUT	Pulse Output
RIN	Real Input
RINR	Real Input Redundant
ROUT	Real Output
STRIN	String Input
STROUT	String Output

The DCI blocks are configured just like other Foxboro Control blocks. The DCI blocks address and read/write data from/to the addressed field device.

**COMPACT, RUGGED DESIGN**

The FBM231 has a compact design, with a rugged extruded aluminum exterior for physical and electrical protection of the circuits. Enclosures, specially designed for mounting the FBMs, provide various levels of environmental protection, up to harsh environments per ISA Standard S71.04.

**HIGH RELIABILITY**

The redundancy of the module pair, coupled with the high coverage of faults, provides very high subsystem availability time.

Either module may be replaced without upsetting field input or output signals to the other module. A module can be removed or replaced without removing field device termination cabling, power, or communications cabling.

## **MODULAR BASEPLATE MOUNTING**

The FBM231 modules mount on a Modular Baseplate, which accommodates up to four or eight FBMs. The Modular Baseplate is either DIN rail mounted or rack mounted. The Modular Baseplate includes signal connectors for the FBMs, redundant independent dc power connections, I/O cable connections, and 2 Mbps Module Fieldbus connections.

Redundant FBM231 modules must be located in adjacent odd and even positions on the baseplate (positions 1 and 2, 3 and 4, 5 and 6, or 7 and 8). Two TA cables connect from the baseplate to the associated TA. Each port of a dual-ported device connects to one of the two TAs.

## **FIELDBUS COMMUNICATION**

The Fieldbus Communication Module (FCM100Et or FCM100E) or the Field Control Processor (FCP280 or FCP270) interface the redundant 2 Mbps module Fieldbus used by the FBMs. The FBM231 accepts communication from either path of the redundant 2 Mbps module Fieldbus - should one path fail or be switched at the system level, the module continues communication over the active path.

## **VISUAL INDICATORS**

Light-emitting diodes (LEDs) incorporated into the front of the module provide visual indication of the module's operational status, and the communication activity (transmit and receive) of each of the four communication ports. Two additional LEDs indicate the master or tracker status of the modules.

## **TERMINATION ASSEMBLY**

The FBM231 termination assembly (TA) is part of the Foxboro Evo system Standard 200 Series subsystem field wiring termination family.

Each FBM231 TA and its associated termination cable provide connection compliance to the electrical

interface standards (RS-232, RS-422 or RS-485) between the field devices and the FBM231. A pair of FBM231s use two TAs. Each TA connects a port of a dual-ported device.

Each TA has four DB-25 cable connectors for RS-232 communication interface and switches to match the RS-232 signal pinout of the DB-25 connectors to various field devices.

The TA has a three-tier compression screw or ring lug connection for RS-422 and RS-485 communication interfaces. Switch-selectable termination resistors are built into the TA for active termination when used with RS-422 and RS-485 communication interfaces.

Key features for each TA include:

- ▶ Combination foot that supports 32 or 35 mm DIN rail mounting
- ▶ Three-tier termination for RS-422 and RS-485 and four DB-25 cable connectors for RS-232 communication interfaces
- ▶ Switches to select transmit and receive signals and other RS-232 communication signals
- ▶ Switch-selectable termination resistors for RS-422 and RS-485 communication
- ▶ Polyamide construction.

## FUNCTIONAL SPECIFICATIONS

### Device Communications

#### INTERFACE

Four serial I/O communication ports interface four direct connect RS-232, RS-422 dual-ported devices or up to 64 dual-ported devices via four RS-485 buses (Up to 16 devices per port). Each port is a dual-logical port to dual-ported devices.

#### BUS CHARACTERISTICS

##### General

Electronic Industrial Association (EIA) RS-232, RS-422 or RS-485 communications selectable on a per port basis. The RS-485 physical communication medium consists of twisted-pair shielded copper cable containing a single conductor pair. The RS-422 is a 4-wire physical communication medium. The RS-232 physical communication medium is a DB-25 cable to a customer supplied device/modem/converter.

##### EIA RS-232, RS-422 and RS-485 I/O Communication

##### Type

Asynchronous communication, direct connect link (RS-232).

##### Transmission Rate

300, 600, 1200, 2400, 4800, 9600, 19200, 38400, 57600 and 115200 baud.

##### Protocol

8-bit characters; odd, even or no parity, 1 or 2 stop bits.

#### NOTE

For driver specific limitations on I/O Capacity and Data Types Transferred, refer to the corresponding driver PSS or User's Guide.

#### I/O CAPACITY

Up to 64 devices per FBM231 maximum (number of actual devices is performance dependent) with up to 2000 DCI point connections.

#### DATA TYPES TRANSFERRED

2-byte or 4-byte signed or unsigned integers, 4-byte IEEE single-precision floating values, or binary values. Automatic conversion for other types as implemented by the downloadable driver.

#### FASTEST ALLOWED ECB BLOCK PERIOD

500 msec

#### CHANNEL ISOLATION

Each communication channel is galvanically isolated and referenced to earth (ground). The module can withstand, without damage, a potential of 600 V ac applied for one minute between either channel and earth.

#### CAUTION

This does not imply that the channels are intended for permanent connection to voltages of these levels. Exceeding the limits for input voltages, as stated elsewhere in this specification, violates electrical safety codes and may expose users to electric shock.

#### Module Fieldbus Communication

Communicates with its associated FCM100Et, FCM100E, FCP270, or FCP280 via the redundant 2 Mbps module Fieldbus.

#### FBM231 Power Requirements

##### INPUT VOLTAGE RANGE (REDUNDANT)

24 V dc +5%, -10%

##### CONSUMPTION

7 W (maximum) each module

##### HEAT DISSIPATION

7 W (maximum) each module

## FUNCTIONAL SPECIFICATIONS (CONTINUED)

### Regulatory Compliance

#### ELECTROMAGNETIC COMPATIBILITY (EMC)

*European EMC Directive 89/336/EEC*

Meets: EN 50081-2 Emission standard  
EN 50082-2 Immunity standard  
EN 61326 Annex A for Industrial  
Environments

*CISPR 11, Industrial Scientific and Medical  
(ISM) Radio-frequency Equipment -  
Electromagnetic Disturbance Characteristics  
- Limits and Methods of Measurement*

Meets: Class A Limits

*IEC 61000-4-2 ESD Immunity*

Contact 4 kV, air 8 kV

*IEC 61000-4-3 Radiated Field Immunity*

10 V/m at 80 to 1000 MHz

*IEC 61000-4-4 Electrical Fast*

*Transient/Burst Immunity*

2 kV on I/O, dc power and communication  
lines

*IEC 61000-4-5 Surge Immunity*

2kV on ac and dc power lines; 1kV on I/O  
and communications lines

*IEC 61000-4-6 Immunity to Conducted  
Disturbances Induced by Radio-frequency  
Fields*

10 V (rms) at 150 kHz to 80 MHz on I/O,  
dc power and communication lines

*IEC 61000-4-8 Power Frequency Magnetic  
Field Immunity*

30 A/m at 50 and 60 Hz

### PRODUCT SAFETY

*Underwriters Laboratories (UL) for U.S. and  
Canada*

UL/UL-C listed as suitable for use in  
UL/UL-C listed Class I, Groups A-D;  
Division 2; temperature code T4 enclosure  
based systems. Communications circuits  
meet the requirements for Class 2 as defined  
in Article 725 of the National Electrical Code  
(NFPA No.70) and Section 16 of the  
Canadian Electrical Code (CSA C22.1).  
Conditions for use are as specified in the  
*Standard and Compact 200 Series  
Subsystem User's Guide* (B0400FA).

*European Low Voltage Directive 73/23/EEC  
and Explosive Atmospheres (ATEX) directive  
94/9/EC*

CENELEC (DEMKO) certified as EEx nA IIC  
T4 for use in CENELEC certified Zone 2  
enclosure certified as associated apparatus  
for supplying  
non-incendive field circuits for Zone 2, Group  
IIC, potentially explosive atmospheres when  
connected to specified I/A Series processor  
modules as described in the *Standard and  
Compact 200 Series Subsystem User's  
Guide* (B0400FA).

### Calibration Requirements

Calibration of the module or termination assembly is  
not required.

## ENVIRONMENTAL SPECIFICATIONS

### Operating

#### TEMPERATURE

-20 to +70°C (-4 to +158°F)

#### RELATIVE HUMIDITY

5 to 95% (noncondensing)

### Storage

#### TEMPERATURE

-40 to +70°C (-40 to +158°F)

#### RELATIVE HUMIDITY

5 to 95% (noncondensing)

### Contamination

Suitable for use in Class G3 (Harsh) environments as defined in ISA Standard S71.04, based on exposure testing according to EIA Standard 364-65, Class III.

## PHYSICAL SPECIFICATIONS

### Mounting

The FBM231 mounts on a Modular Baseplate. The Modular Baseplate can be mounted horizontally or vertically on a DIN rail, or mounted horizontally in a 19-inch rack using a mounting kit. Refer to PSS 31H-2SBASEPLT for details.

The TA has a combination foot that supports 32 or 35 mm DIN rail mounting.

### Part Numbers

Module - P0926GV

TA Ring Lug - P0926PA

TA Compression Screw - P0926GH

### Dimensions - Module

#### HEIGHT

102 mm (4 in)

114 mm (4.5 in) including mounting lugs

#### WIDTH

45 mm (1.75 in)

#### DEPTH

104 mm (4.11 in)

### Dimensions - TA

See page 10 and page 11.

### Mass

#### MODULE

284 g (10 oz) approximate

Termination Assembly

*Ring Lug (P0926PA)*

363 g (0.8 lb) approximate

*Compression Screw (P0926GH)*

272 g (0.6 lb) approximate

### Cables

#### FBM231 TO TA LENGTHS

1 m (3 ft) to 5 m (15 ft)

#### TERMINATION CABLE TYPE

Type 5 - Refer to Table 1 on page 9

#### TA RS-232 CONNECTION (DB-25 CABLE) TO MODEM/CONVERTER/DEVICE

Up to 15 m (50 ft) for custom cables per EIA Standard RS-232.

#### RS-422 AND RS-485

Up to 1200 m (3960 ft)



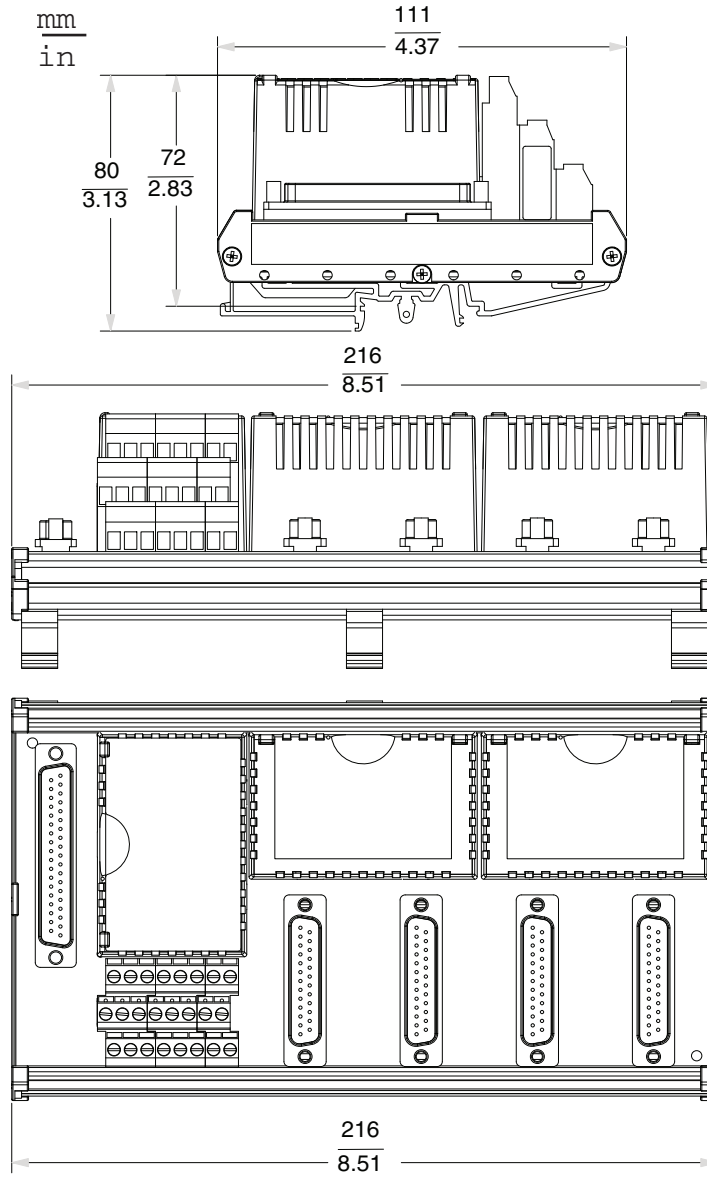
**Table 1. Termination Cable Types and Part Numbers**

<b>Length m (ft)</b>	<b>Type 5 LSZH<sup>(a)</sup></b>	<b>Type 5 Hypalon/XLPE<sup>(b)</sup></b>
1.0 (3.2)	P0928AW	P0926GJ
2.0 (6.6)	P0928AX	P0931RV
3.0 (9.8)	P0928AY	P0926GQ
5.0 (16.4)	P0928AZ	P0926GR

- (a) Low smoke zero halogen or low smoke free of halogen (LSZH) is a material classification used for cable jacketing. LSZH is composed of thermoplastic or thermoset compounds that emit limited smoke and no halogen when exposed to high sources of heat. Temperature range: -40 to +105°C (-40 to +221°F)
- (b) H/XLPE is Hypalon outer jacket and XLPE (cross-linked polyethylene) primary conductor insulation. Temperature range: -40 to +90°C (-40 to +194°F). Hypalon cables are no longer available for purchase.

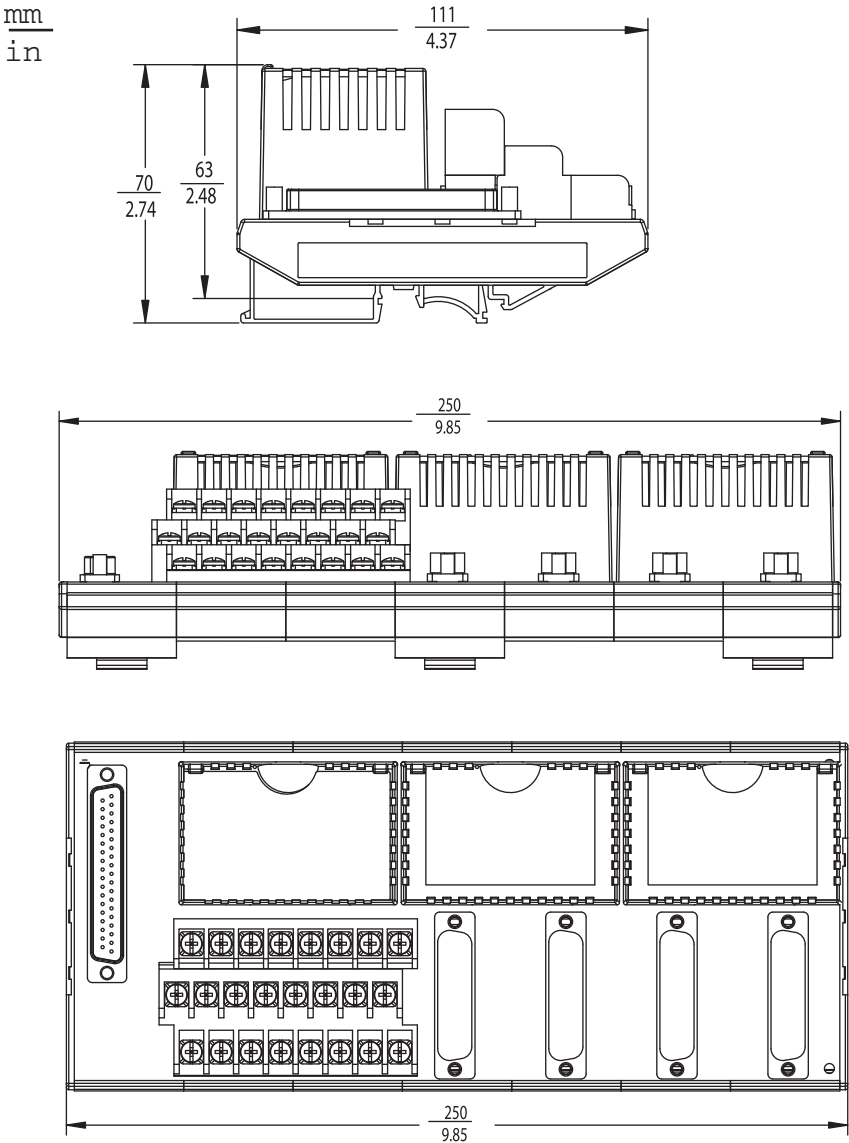
**DIMENSIONS - NOMINAL**

Compression Screw Termination Assembly (P0926GH)



DIMENSIONS - NOMINAL

Ring Lug Termination Assembly (P0926PA)



RELATED PRODUCT SPECIFICATION SHEETS

PSS Number	Description
PSS 31H-2S200	Standard 200 Series Subsystem Overview
PSS 31H-2CERTS	Standard and Compact 200 Series I/O - Agency Certifications



Invensys Systems, Inc  
10900 Equity Drive  
Houston, TX 77041  
United States of America  
<http://www.invensys.com>

Global Customer Support  
Inside U.S.: 1-866-746-6477  
Outside U.S.: 1-508-549-2424  
Website: <https://support.ips.invensys.com>

Copyright 2014 Invensys Systems, Inc.  
All rights reserved.  
Invensys is now part of Schneider Electric.

Invensys, Foxboro, and Foxboro Evo are trademarks owned by Invensys Limited, its subsidiaries and affiliates. All other trademarks are the property of their respective owners.