



Main

Range of product	Modicon Quantum automation platform
Product or component type	Mixed discrete I/O module
Discrete I/O number	24

Complementary

Discrete input number	16 2 groups of 8
Discrete input logic	Sink
Addressing requirement	1 input word 0.5 output word
Network frequency limits	47...63 Hz
Discrete input voltage	24 V DC
Input voltage limits	30 V <= 1 V during one cycle 56 V during 1.3 ms <= 1 V during 10 s
Voltage state 0 guaranteed	-3...5 V
Voltage state 1 guaranteed	15...30 V
Current state 0 guaranteed	<= 0.5 mA
Current state 1 guaranteed	>= 2 mA
Input impedance	2500 Ohm
Discrete output number	8 2 groups of 4
Discrete output type	Solid state
Discrete output logic	Sink
Discrete output voltage	24 V
Output voltage limits	19.2...30 V DC typical 56 V DC during 1.3 ms
Maximum load current	<= 0.5 A per point <= 2 A per group <= 4 A per module
Maximum voltage drop	<0.4 V 0.5 A
Absolute maximum output	5 A during 500 µs per point
Maximum load inductance	500 mH 4 Hz
Maximum load capacitance	50 µF
Maximum leakage current	0.4 mA 30 V DC
Response time on output	<= 1 ms at state 0 to state 1 <= 1 ms at state 1 to state 0
Protection type	On output by transient voltage suppression On input by resistor limited Internal output protection by 5 A fuse per group
Associated fuse rating	5 A per group
Isolation between group	500 Vrms for 1 minute
Isolation between group and bus	1780 Vrms for 1 minute

The information provided in this documentation contains general descriptions and/or technical characteristics of the performance of the products contained herein. This documentation is not intended as a substitute for and is not to be used for determining suitability or reliability of these products for specific user applications. It is the duty of any such user or integrator to perform the appropriate and complete risk analysis, evaluation and testing of the products with respect to the relevant specific application or use thereof. Neither Schneider Electric Industries SAS nor any of its affiliates or subsidiaries shall be responsible or liable for misuse of the information contained herein.

Fault indication	Blown fuse on output Loss of field power on output
Power dissipation	1.75 W + (0.36 x input point on) + (1.1 total output load current)
Local signalling	Bus communication is present (Active) 1 LED green) No voltage in output and input (F) 1 LED red) Output is turned on 2 LEDs green) Fault detected on the input point 2 LEDs red) Fault detected on the output point 2 LEDs red)
Marking	CE
Bus current requirement	330 mA
Net Weight	0.66 lb(US) (0.3 kg)

Environment

Resistance to electrostatic discharge	4 KV contact IEC 801-2 8 KV on air IEC 801-2
Resistance to electromagnetic fields	9.14 V/m (10 V/m) 80...1000 MHz IEC 801-3
Ambient air temperature for operation	32...140 °F (0...60 °C)
Ambient air temperature for storage	-40...185 °F (-40...85 °C)
Relative humidity	95 % without condensation
Operating altitude	<= 16404.2 ft (5000 m)
Standards	CSA C22.2 No 142 UL 508 FM Class 1 Division 2
Product certifications	CUL

Ordering and shipping details

Category	18155 - QUANTUM I/O & POWER SUPPLIES
Discount Schedule	PC21
GTIN	00785901013976
Nbr. of units in pkg.	1
Package weight(Lbs)	0.96 lb(US) (0.44 kg)
Returnability	No
Country of origin	CN

Packing Units

Unit Type of Package 1	PCE
Package 1 Height	1.77 in (4.5 cm)
Package 1 width	12.40 in (31.5 cm)
Package 1 Length	6.30 in (16 cm)
Unit Type of Package 2	S03
Number of Units in Package 2	7
Package 2 Weight	6.70 lb(US) (3.039 kg)
Package 2 Height	11.81 in (30 cm)
Package 2 width	11.81 in (30 cm)
Package 2 Length	15.75 in (40 cm)

Offer Sustainability

Sustainable offer status	Green Premium product
EU RoHS Directive	Pro-active compliance (Product out of EU RoHS legal scope) EU RoHS Declaration
Mercury free	Yes
RoHS exemption information	Yes
China RoHS Regulation	China RoHS Declaration
Environmental Disclosure	Product Environmental Profile

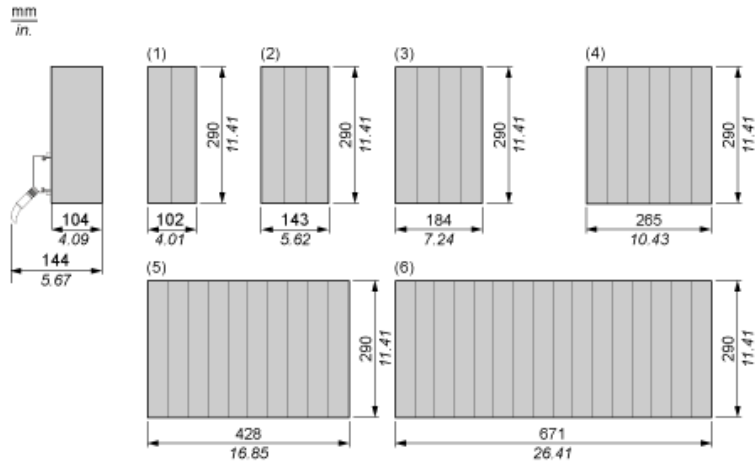
Circularity Profile	End Of Life Information
WEEE	The product must be disposed on European Union markets following specific waste collection and never end up in rubbish bins.

Contractual warranty

Warranty	18 months
----------	-----------

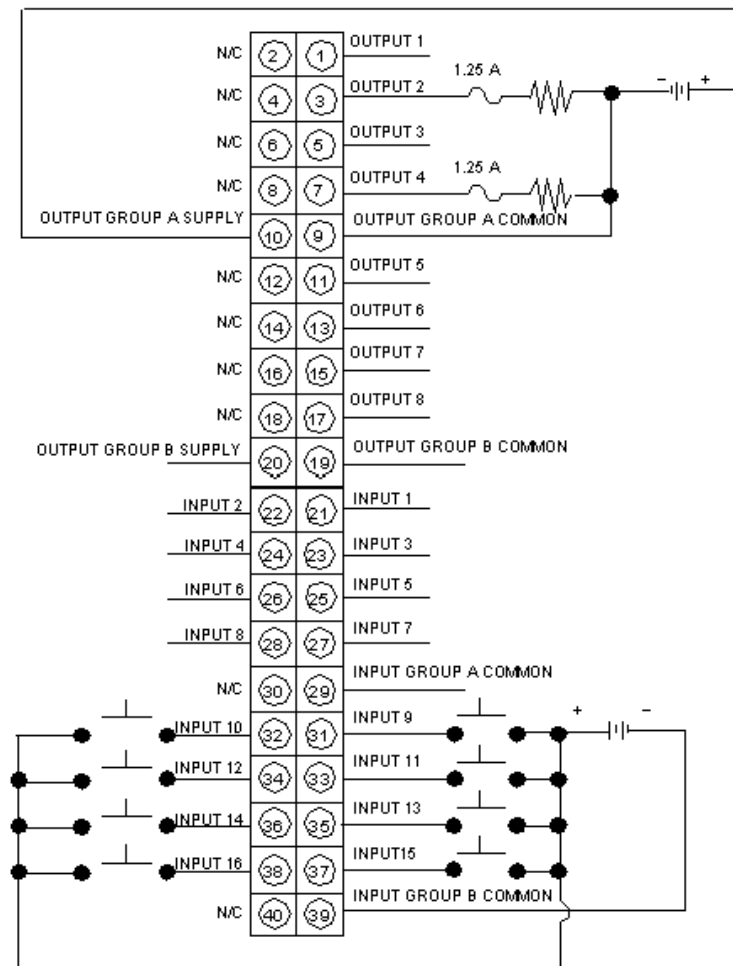
Racks for Modules Mounting

Dimensions of Modules and Racks



24 Vdc Discrete Input Sink/Output Source Module

Wiring Diagram



N/C Not Connected