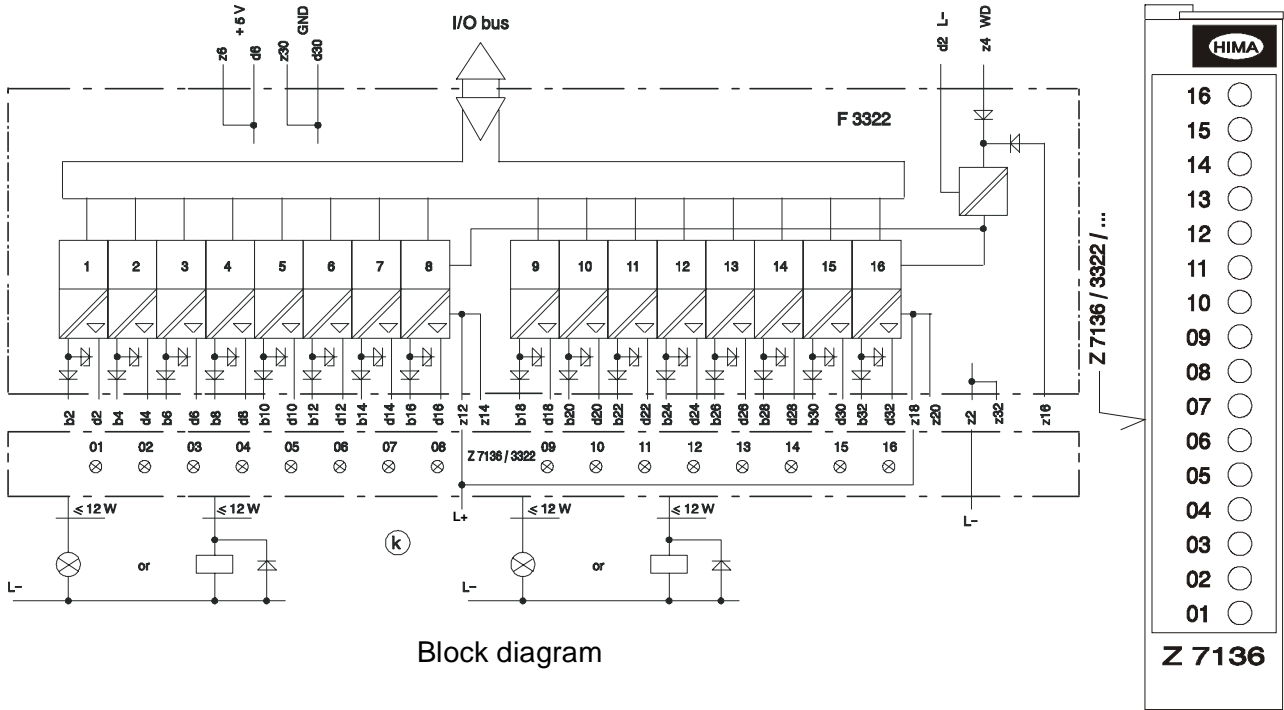




F 3322: 16 fold output module

resistive load or inductive load up to 500 mA (12 W),
 lamp connection up to 12 W,
 with safety isolation
 no output signal with break of the L- supply



Block diagram

Front cable plug

Planning hint

Only max. 10 output modules with nominal load may be used in one IO-subrack and not more than half of the possible output load of 16 x 0.5 A = 8 A may be switched on at the same time. The standard fusing of the modules in the IO rack is 4 A slow.

Outputs

Response value for current limiter
 Space requirements
 Operating data

(k) short circuit proof

> 550 mA
 4 TE
 5 V DC: 110 mA
 24 V DC: 150 mA in addition load

| Channel | Connection | Colour |
|---------|------------|--------|
| 1 | d2 | ws |
| 2 | d4 | br |
| 3 | d6 | gn |
| 4 | d8 | ge |
| 5 | d10 | gr |
| 6 | d12 | rs |
| 7 | d14 | bl |
| 8 | d16 | rt |
| 9 | d18 | sw |
| 10 | d20 | vio |
| 11 | d22 | ws-br |
| 12 | d24 | ws-gn |
| 13 | d26 | ws-ge |
| 14 | d28 | ws-gr |
| 15 | d30 | ws-rs |
| 16 | d32 | ws-bl |
| L- | z2 | sw |
| L+ | z12 | rt |

Cable
LiYY 16 x 0,5 mm²

Flat pin
plug
2,8 x 0,8 mm²

q = 1 mm²
l = 750 mm

Lead marking of the cable plug
Z 7136 / 3322 / C..

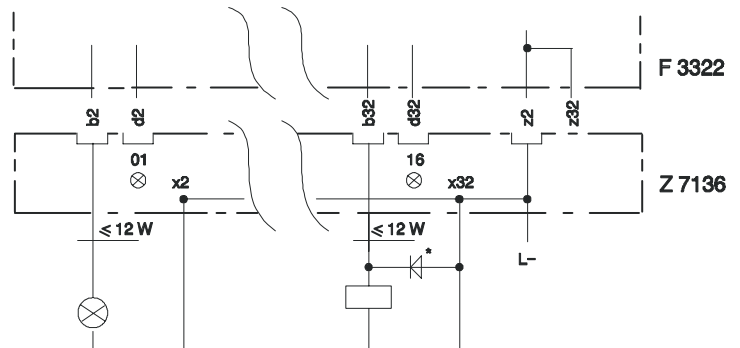
| Channel | Connection | Colour |
|---------|------------|--------|
| 1 | b2 | ws-rt |
| | x2 | ws |
| 2 | b4 | ws-sw |
| | x4 | br |
| 3 | b6 | br-gn |
| | x6 | gn |
| 4 | b8 | br-ge |
| | x8 | ge |
| 5 | b10 | br-gr |
| | x10 | gr |
| 6 | b12 | br-rs |
| | x12 | rs |
| 7 | b14 | br-bl |
| | x14 | bl |
| 8 | b16 | br-rt |
| | x16 | rt |
| 9 | b18 | br-sw |
| | x18 | sw |
| 10 | b20 | gn-gr |
| | x20 | vio |
| 11 | b22 | gn-rs |
| | x22 | ws-br |
| 12 | b24 | gn-bl |
| | x24 | ws-gn |
| 13 | b26 | gn-rt |
| | x26 | ws-ge |
| 14 | b28 | gn-sw |
| | x28 | ws-gr |
| 15 | b30 | ge-gr |
| | x30 | ws-rs |
| 16 | b32 | ge-rs |
| | x32 | ws-bl |
| L- | z2 | sw |
| L+ | z12 | rt |

Cable
LiYY 32 x 0,5 mm²

Flat pin
plug
2,8 x 0,8 mm²

q = 1 mm²
l = 750 mm

Lead marking of the cable plug
Z 7136 / 3322 / C.. / P2
2-pole connection



*suggested
Type : 1N4007
part no. 26 810 4004

2-pole connection