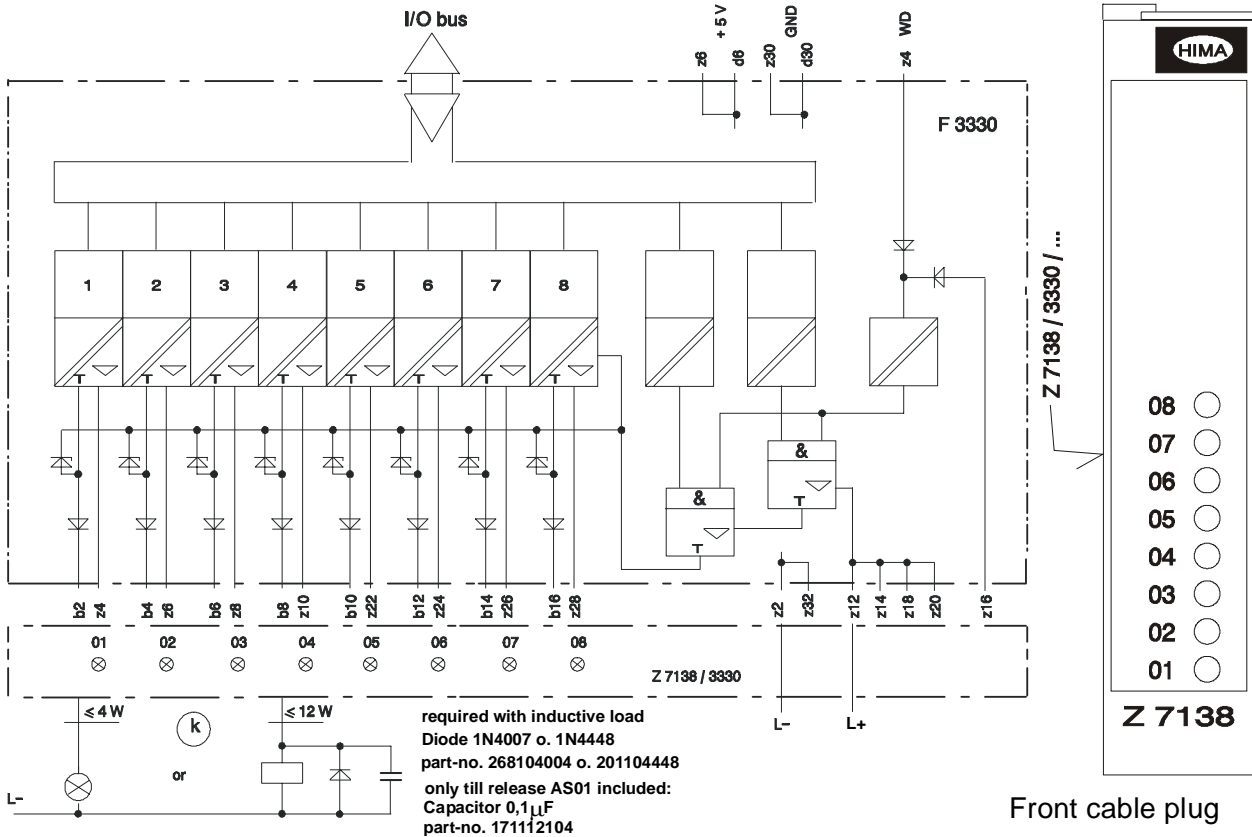




# F 3330

## F 3330: 8 fold output module, safety related

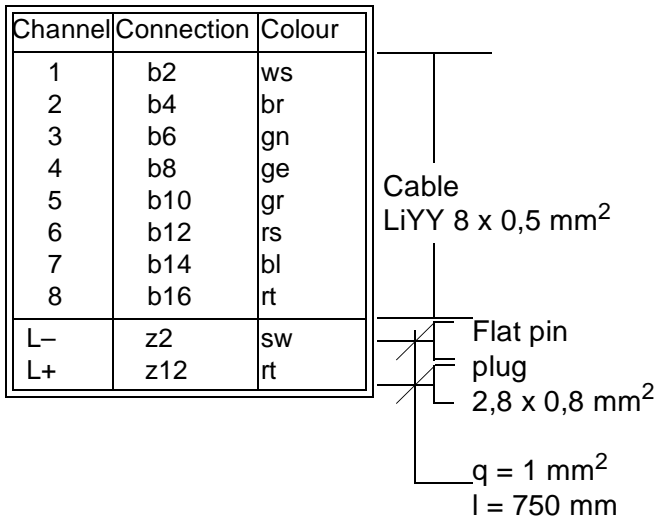
resistive load or inductive load up to 500 mA (12 W),  
 lamp connection up to 4 W,  
 with integrated safety shutdown, with safe isolation,  
 no output signal with break of the L- supply  
 requirement class AK 1 ... 6



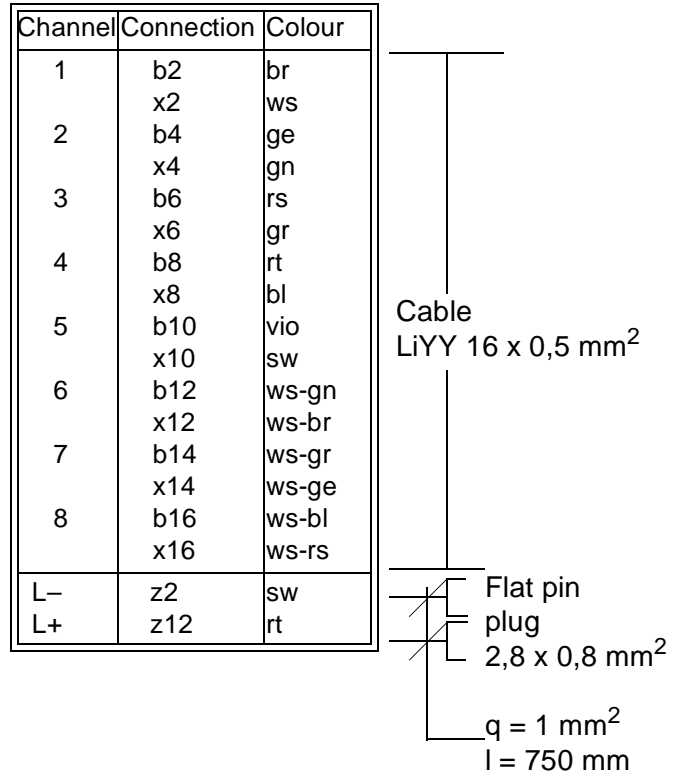
The module is automatically tested during operation. The main test routines are:

- Reading back of the output signals. The operating point of the 0 signal read back is  $\leq 6.5$  V. Up to this value the level of the 0 signal may arise in case of a fault and this will not be detected
- Switching capability of test signal and cross-talking (walking-bit test).

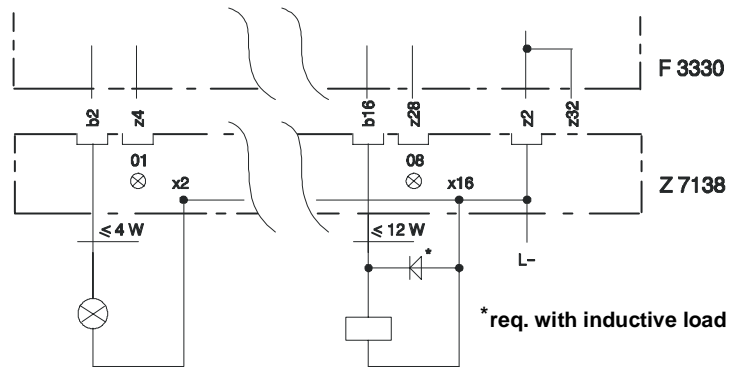
Outputs	500 mA, (k) short circuit proof
Internal voltage drop	max. 2 V at 500 mA load
Admissible line resistance (in + out)	max. 11 Ohm
Undervoltage tripping	at $\leq 16$ V
Operating point for short circuit current	0.75 ... 1.5 A
Outp. leakage current	max. 350 µA
Output voltage if output is reset	max. 1,5 V
Duration of the test signal	max. 200 µs
Space requirement	4 TE
Operating data	5 V DC: 110 mA
	24 V DC: 180 mA in add. load



Lead marking of the cable plug  
Z 7138 / 3330 / C..



Lead marking of the cable plug  
Z 7138 / 3330 / C.. / P2  
2-pole connection



2-pole connection

**Planning hints**

- max. 10 output modules with nominal load may be used in one I/O rack
- can be paralleled without external diodes
- for lamp load 4 W to 10 W refer to sketch:

